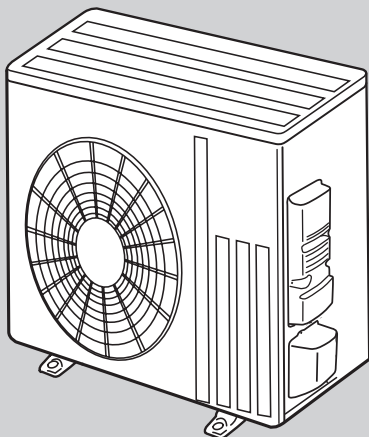


PARTS CATALOG

R32

[Model Name]	[Service Ref.]
SUZ-SWM40VA	SUZ-SWM40VA.TH
SUZ-SWM60VA	SUZ-SWM60VA.TH
SUZ-SWM80VA	SUZ-SWM80VA.TH



SUZ-SWM40VA.TH
SUZ-SWM60VA.TH
SUZ-SWM80VA.TH

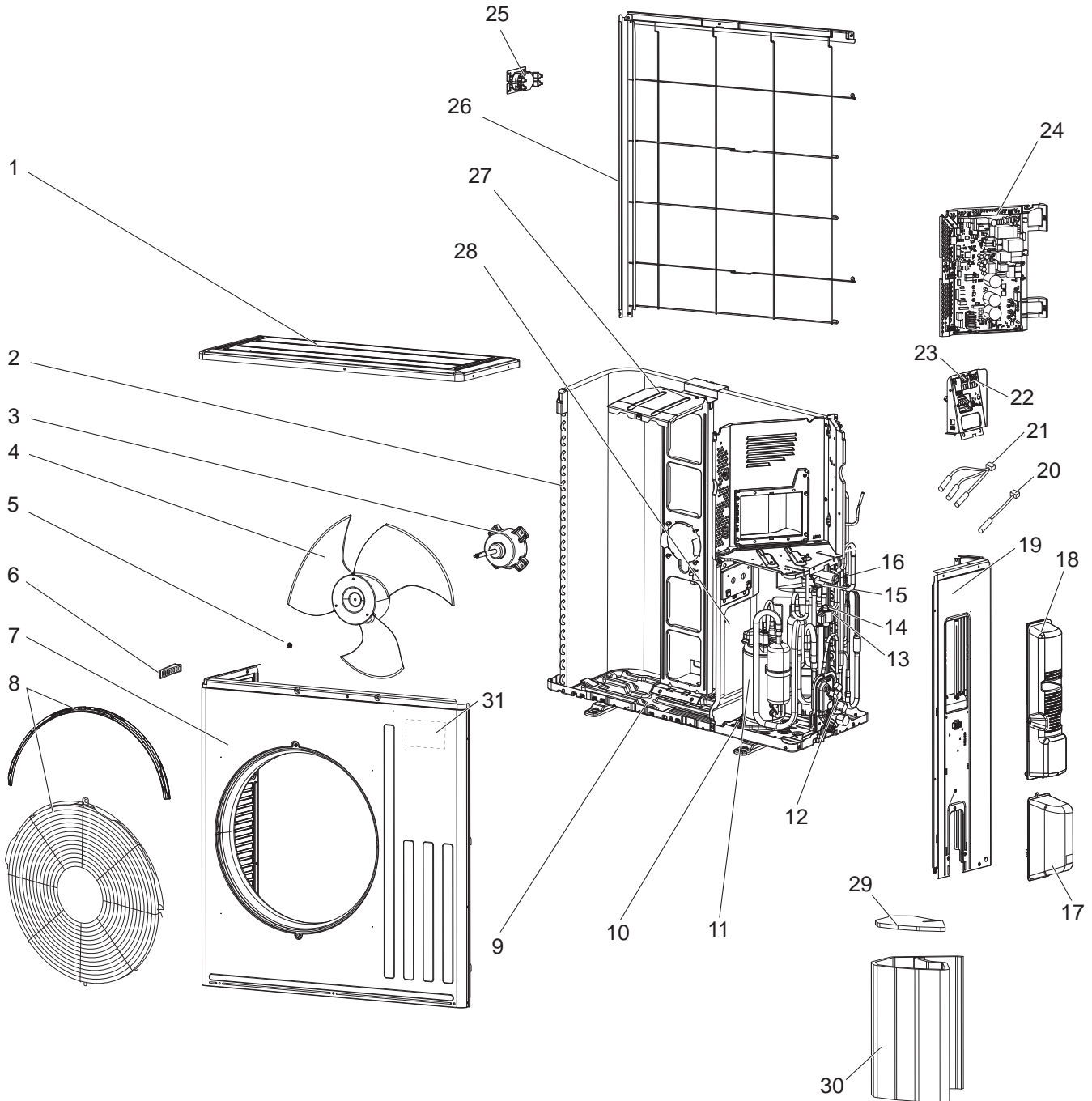
CONTENTS

1. SERVICE PARTS LIST.....	2
----------------------------	---

SERVICE MANUAL (OCH718)

OUTDOOR UNIT STRUCTURAL PARTS, ELECTRICAL PARTS AND FUNCTIONAL PARTS

SUZ-SWM40VA.TH
 SUZ-SWM60VA.TH
 SUZ-SWM80VA.TH



Part numbers that are circled are not shown in the illustration.

No.	Part No.	Part Name	Symbol in Wiring Diagram	Q'ty/unit			Remarks
				SUZ-SWM40VA.TH	SUZ-SWM60VA.TH	SUZ-SWM80VA.TH	
1	E27 L07 297	TOP PANEL		1	1	1	
2	E27 M74 630	OUTDOOR HEAT EXCHANGER		1	1	1	
3	E22 F28 301	OUTDOOR FAN MOTOR	MF	1	1	1	
4	E22 F28 501	PROPELLER FAN		1	1	1	
5	E27 L05 508	PROPELLER FAN NUT		1	1	1	
6	E22 817 009	HANDLE		1	1	1	
7	E22 R13 232	CABINET		1	1	1	
8	E27 T42 521	FAN GUARD		1	1	1	
9	E22 F28 290	BASE		1	1	1	
10	E22 C34 506	COMPRESSOR RUBBER MOUNT		3	3	3	3pcs/set
11	E22 R83 900	COMPRESSOR	MC	1			SVB130FBBMT
	E22 R86 900				1	1	SVB172FCKMT
12	E27 T42 663	STOP VALVE ASSY		1	1	1	Includes STOP VALVES(LIQ, GAS)
13	E27 M74 645	EXPANSION VALVE ASSY		1	1	1	Includes LEV body, Capillary tube
14	E27 M74 493	EXPANSION VALVE COIL	LEV	1	1	1	
15	E22 R84 490	R.V. COIL	21S4	1	1	1	
16	E22 J44 961	4-WAY VALVE		1	1	1	
17	E22 F28 650	VALVE COVER		1	1	1	
18	E22 Y87 245	SERVICE PANEL		1	1	1	
19	E22 J52 233	BACK PANEL(OUT)		1	1	1	
20	E22 29F 309	THERMISTOR ASSY AMB	RT65	1	1	1	
21	E22 R84 308	THERMISTOR-T	RT61,RT62, RT68	1	1	1	
22	E22 F29 374	TERMINAL BLOCK	TB1	1	1	1	
23	E22 T16 374	TERMINAL BLOCK	TB2	1	1	1	
24	E27 T42 451	INVERTER P.C. BOARD		1			Includes HEAT SINK and RT64
	E27 T43 451				1		
	E27 T44 451					1	
25	E22 R84 337	REACTOR	L	1	1	1	
26	E22 L87 523	CONDENSER NET		1	1	1	
27	E22 F28 515	MOTOR SUPPORT		1	1	1	
28	E27 M60 293	SEPARATOR		1	1	1	
29	————	COMP FELT(TOP)		1	1	1	RK33J795H01
30	————	COMP FELT(BODY)		1	1	1	RK33J456H01
31	————	BRAND LABEL		1	1	1	BT79B075H01
32	————	ELECTRICAL PARTS BOX		1	1	1	SQ00J359G18
33	————	LEAD ASSY COMP		1	1	1	BT78L236G01
34	E22 F28 704	DRAIN SOCKET		1	1	1	
35	E27 N04 250	T.ST SCREW		30	30	30	

mitsubishi electric corporation

HEAD OFFICE: TOKYO BUILDING, 2-7-3, MARUNOUCHI, CHIYODA-KU, TOKYO100-8310, JAPAN
