

# PARTS CATALOG

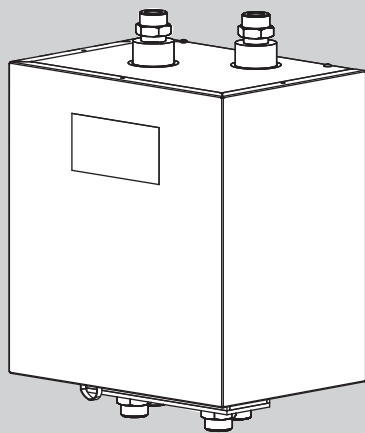
---

[Model Name]

PAC-TZ02-E

[Service Ref.]

**PAC-TZ02-E**



2 ZONE KIT

---

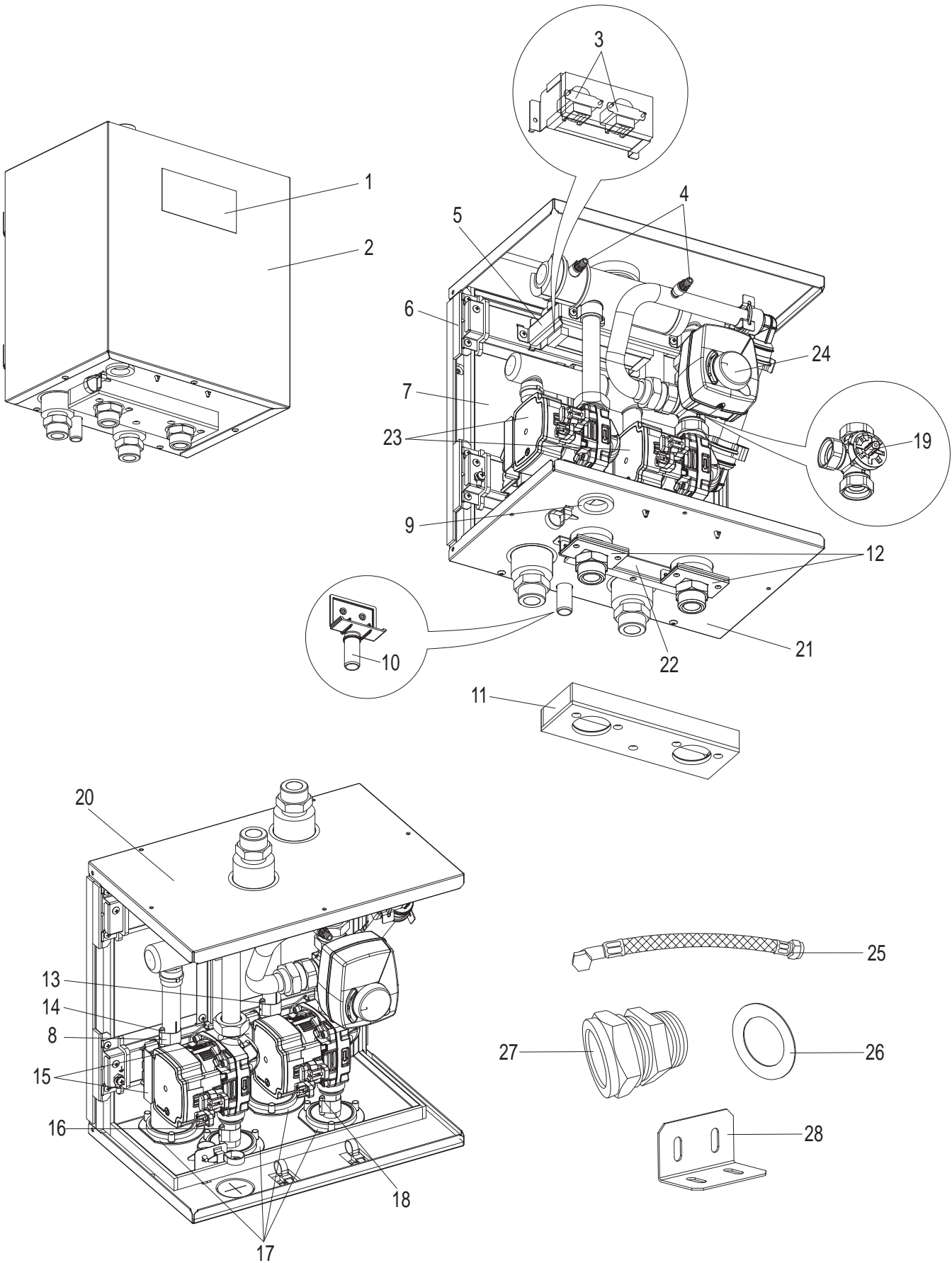
## CONTENTS

---

1. SERVICE PARTS LIST ..... 2

**SERVICE MANUAL (OCH729)**

PAC-TZ02-E



The part quantity below indicates the required number of pieces per unit.

No.	Parts No.	Parts name	PAC-TZ02-E	Wiring Diagram Symbol	Remarks
1	S70 C25 699	BRAND LABEL	1		
2	S70 T13 668	FRONT PANEL ASSY	1		
3	S70 T04 259	REACTOR	2		
4	S70 C10 358	WATER CAP ASSY	2		
5	S70 T05 206	PIPE STAY FLOW U	1		
6	S70 T02 661	CASE BACK ASSY	1		
7	S70 T03 529	DRAIN PAN ASSY	1		
8	S70 T19 212	TH HOLDER-22.2	4		
9	S70 C21 306	BUSH	1		
10	S70 T03 527H	DRAIN SOCKET ASSY	1		
11	S70 T11 663	COVER PIPE FLOW ASSY	1		
12	S70 T10 266	HOLDER PIPE FLOW ASSY	2		
13	S70 T04 202	THERMISTOR/2700	1		Blue
14	S70 T02 202	THERMISTOR/2900	1		Black
15	S70 T07 206	PUMP STAY ASSY	2		
16	S70 T01 202	THERMISTOR/2900	1		Grey
17	S70 T15 460	PACKING COLLAR ASSY	4		
18	S70 T03 202	THERMISTOR/2700	1		Red
19	S70 T16 206	MIXING VALVE BODY	1		
20	S70 T09 641	TOP PANEL ASSY	1		
21	S70 T08 669	BOTTOM PANEL ASSY	1		
22	S70 T09 206	PIPE STAY FLOW ASSY	1		
23	S70 T19 355	WATER PUMP	2		
24	S70 T17 762	MIXING VALVE MOTOR	1		
25	S70 T13 601	FLEXIBLE HOSE	2		
26	S70 C55 460	GASKET 1"	10		
27	S70 T20 096	JOINT CPF G1	2		
28	S70 T14 206	MOUNT STAY	2		
29	S70 C10 465	FASTENER	4		
30	S70 C23 460	ORING	4		
31	S70 C01 800	GREASE	4		100g

Parts number that is circled is not shown in the figure.

# **mitsubishi electric corporation**

HEAD OFFICE: TOKYO BUILDING, 2-7-3, MARUNOUCHI, CHIYODA-KU, TOKYO 100-8310, JAPAN

---