

PARTS CATALOG

R32

<Outdoor unit>

[Model Name]

PUZ-HWM140VHA

PUZ-HWM140YHA

[Service Ref.]

PUZ-HWM140VHA

PUZ-HWM140YHA

Revision:

- Parts catalog has been updated in REVISED EDITION-A.

OCB748 is void.

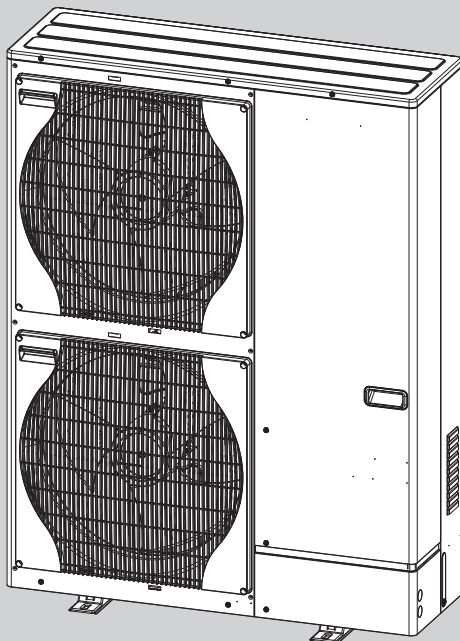
Salt proof model

PUZ-HWM140VHA-BS

PUZ-HWM140YHA-BS

PUZ-HWM140VHA-BS

PUZ-HWM140YHA-BS



CONTENTS

- | | |
|-----------------------------|---|
| 1. SERVICE PARTS LIST | 2 |
| 2. OPTIONAL PARTS | 8 |

SERVICE MANUAL (OCH748)

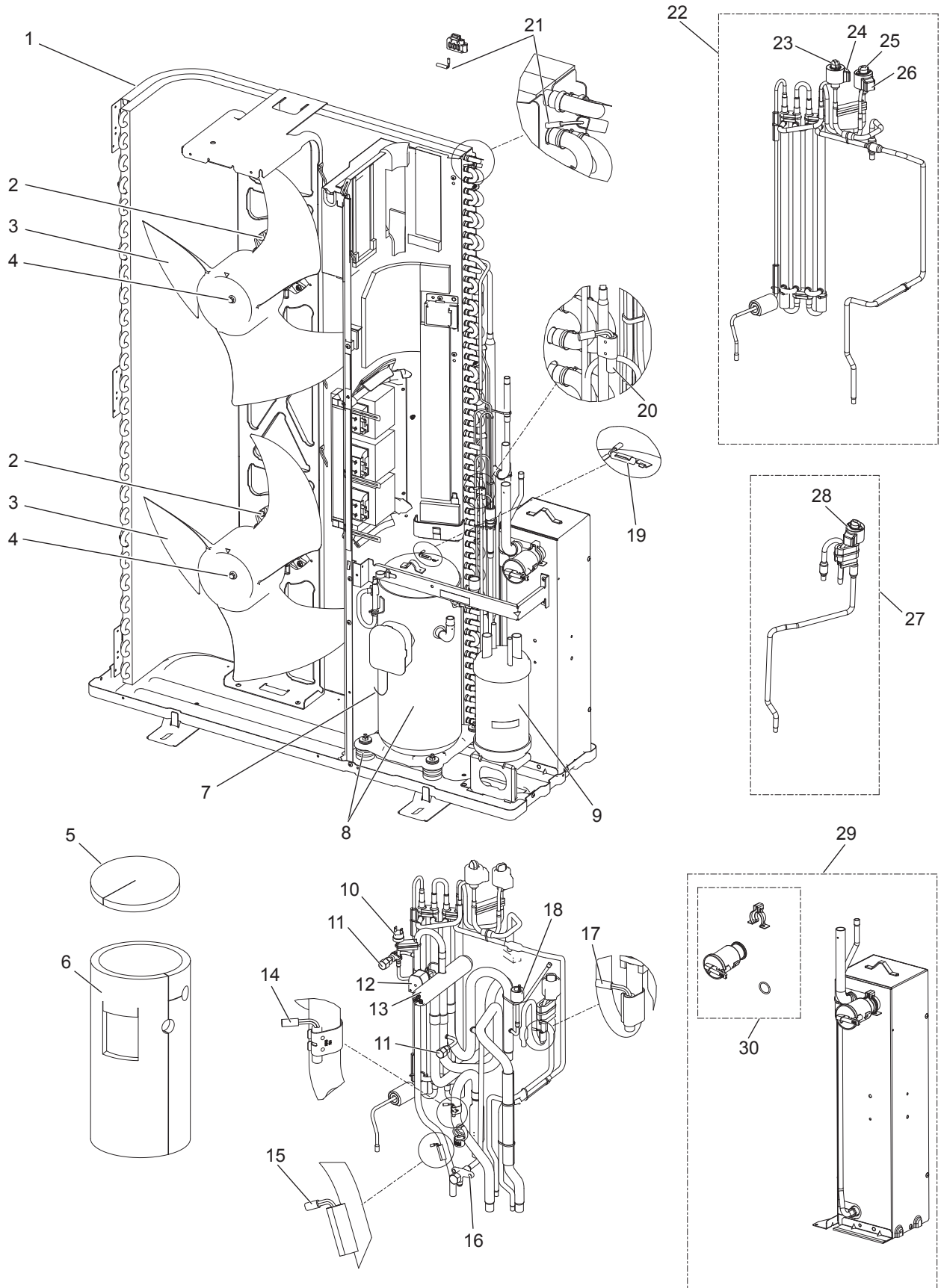
FUNCTIONAL PARTS

PUZ-HWM140VHA

PUZ-HWM140YHA

PUZ-HWM140VHA-BS

PUZ-HWM140YHA-BS

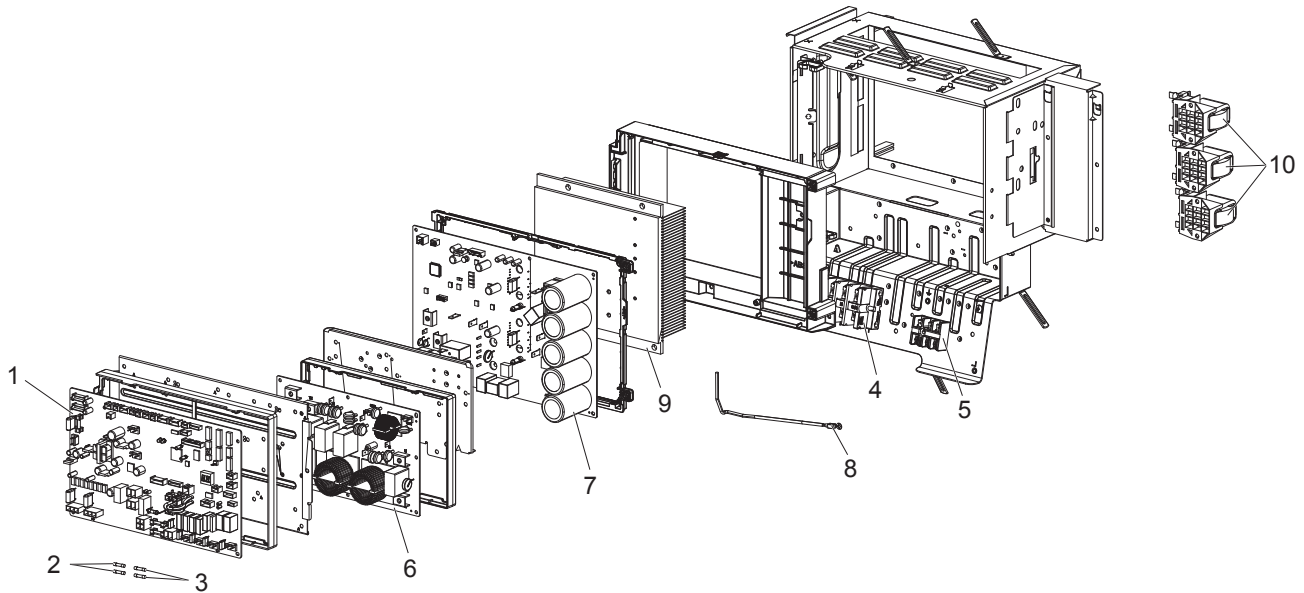


1. The part quantity below indicates the required number of pieces per unit.
2. The circled No. indicates that the part is not shown in the figure.

No.	Parts No.	Parts Name	PUZ-HWM140VHA	PUZ-HWM140VHA-BS	PUZ-HWM140YHA	PUZ-HWM140YHA-BS	Wiring Diagram Symbol	Remarks
1	T 7 W H 7 0 4 0 8	HEAT EXCHANGER	1	1	1	1		
2	R 0 1 F 0 2 2 2 1	FAN MOTOR	2	2	2	2	MF1,2	
3	R 0 1 E 0 6 1 1 5	PROPELLER FAN	2	2	2	2		
4	R 0 1 E 1 6 0 9 7	CAP NUT (MEC) M6	2	2	2	2		
5	R 0 1 A 5 7 6 0 2	COMP FELT (TOP)	1	1	1	1		
6	T 7 W B 1 1 6 0 2	COMP FELT-B/ AVB36	1	1	1	1		
7	T 7 W C 0 6 5 1 0	LEAD ASSY COMP	1	1				
7	T 7 W H 0 4 5 1 0	LEAD ASSY COMP			1	1		
8	T 9 7 4 8 0 0 7 7	AVB36FJDMT_COMP	1	1			MC	Includes RUBBER MOUNTS
8	T 9 7 4 8 1 0 7 7	AVB36FJCMT_COMP			1	1	MC	Includes RUBBER MOUNTS
9	T 7 W E 3 1 4 4 0	POWER RECEIVER	1	1	1	1		
10	R 0 1 H 0 6 2 0 8	HIGH PRESSURE SWITCH	1	1	1	1	63H	
11	R 0 1 E 3 1 4 1 3	CHARGE PLUG/ LB90	2	2	2	2		
12	T 7 W S 0 0 2 4 2	SOLENOID COIL (21S4)	1	1	1	1	21S4	Includes SCREWS (M5×7)
13	R 0 1 E 3 9 4 0 3	4WAY VALVE	1	1	1	1	21S4	
14	R 0 1 M 2 8 2 0 2	THERMISTOR	1	1	1	1	TH32	
15	R 0 1 E 3 5 2 0 1	THERMISTOR (DIS)	1	1			TH4	
15	R 0 1 E 4 1 2 0 1	THERMISTOR (DIS)			1	1	TH4	
16	R 0 1 E 1 0 4 1 1	STOP VALVE 1/4F	1	1	1	1		
17	T 7 W E 7 8 2 0 2	THERMISTOR	1	1	1	1	TH34	
18	T 7 W E 1 6 2 0 8	H.P SENSOR	1	1	1	1	63HS	
19	R 0 1 E 2 1 2 0 1	THERMISTOR (SHELL)	1	1	1	1	TH33	
20	R 0 1 H R 4 2 0 2	THERMISTOR-H	1	1	1	1	TH3	
21	R 0 1 H 0 1 2 0 2	THERMISTOR W	1	1	1	1	TH6/7	
22	T 7 W B 1 0 4 0 1	HIC ASSY	1	1	1	1	LEV-A/LEV-C	
23	T 7 W H 1 0 4 0 1	LEV (UKV)	1	1	1	1	LEV-A	
24	R 0 1 H R 9 2 4 2	COIL (LEV)/ XAP-5P WH	1	1	1	1	LEV-A	
25	R 0 1 H 8 6 4 0 1	LEV	1	1	1	1	LEV-C	
26	R 0 1 H R 0 2 4 2	COIL (LEV)/ XAP-5P BLU	1	1	1	1	LEV-C	
27	T 7 W A 1 0 4 0 1	LEV ASSY (P.R-PHEX)	1	1	1	1	LEV-B	
28	R 0 1 H R 8 2 4 2	COIL (LEV)/ XAP-5P RED	1	1	1	1	LEV-B	
29	T 7 W W 0 2 4 0 8	PLATE HEAT EXCHANGER	1	1	1	1		
30	T 7 W W 0 0 5 2 4	RELIEF VALVE SET	1	1	1	1		

ELECTRICAL PARTS
PUZ-HWM140VHA

PUZ-HWM140VHA-BS

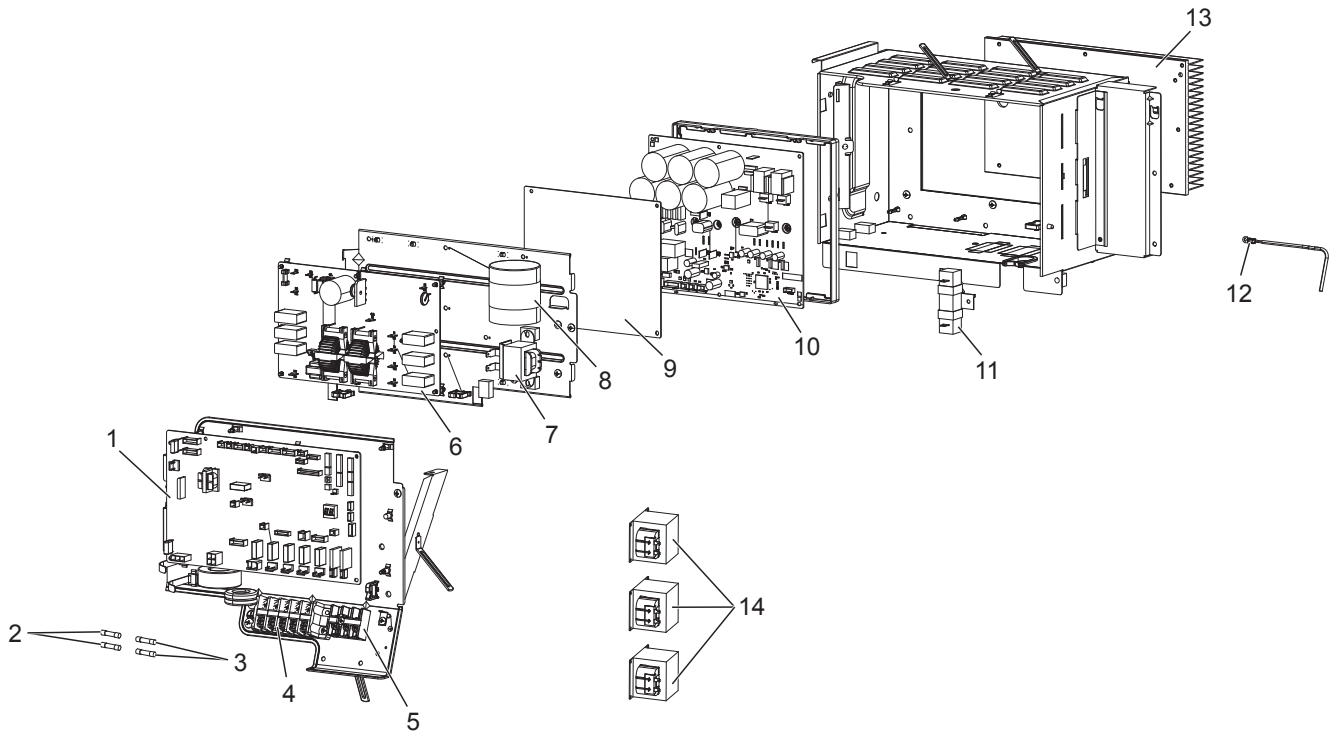


1. The part quantity below indicates the required number of pieces per unit.
 2. The circled No. indicates that the part is not shown in the figure.

No.	Parts No.	Parts Name			Wiring Diagram Symbol	Remarks
			PUZ-HWM140VHA	PUZ-HWM140VHA-BS		
1	T 7 W S 21 315	CONTROLLER BOARD	1	1	C.B.	
2	R 0 1 E 21 239	FUSE 10 A 250 V	2	2	F1,F2	
3	R 0 1 E 14 239	FUSE 6.3 A 250 V	2	2	F3,F4	
4	T 7 W E 66 716	T.B./ L.N.E	1	1	TB1	
5	R 0 1 E 19 246	T.B./ S1.S2.S3	1	1	TB2	
6	T 7 W E 39 346	NOISE FILTER	1	1	N.F	
7	T 7 W S 09 323	POWER BOARD	1	1	P.B.	
8	T 7 W E 81 202	THERMISTOR (HS)	1	1	TH8	HEAT SINK
9	R 0 1 A 23 371	HEAT SINK	1	1		Includes SCREWS
10	R 0 1 E 56 259	REACTOR	3	3	DCL	

ELECTRICAL PARTS
PUZ-HWM140YHA

PUZ-HWM140YHA-BS

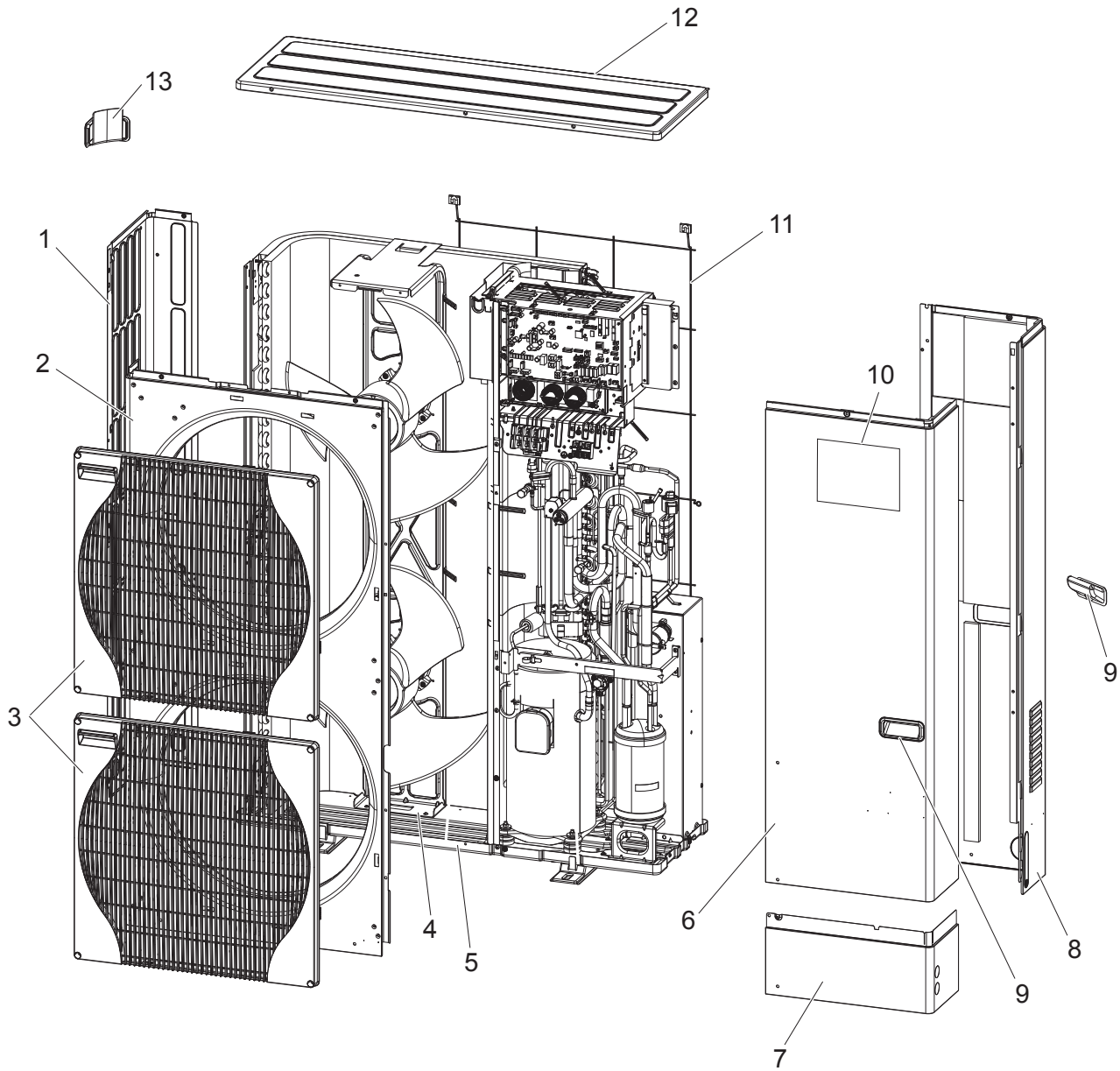


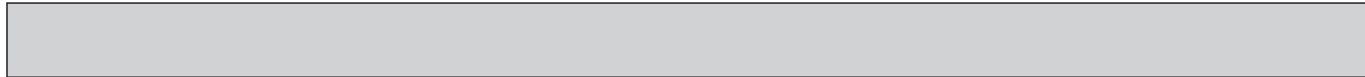
1. The part quantity below indicates the required number of pieces per unit.
 2. The circled No. indicates that the part is not shown in the figure.

No.	Parts No.	Parts Name	PUZ-HWM140YHA		Wiring Diagram Symbol	Remarks
			PUZ-HWM140YHA	PUZ-HWM140YHA-BS		
1	T 7W S 21 3 15	CONTROLLER BOARD	1	1	C.B.	
2	R 01 E 21 2 39	FUSE 10 A 250 V	2	2	F1,F2	
3	R 01 E 14 2 39	FUSE 6.3 A 250 V	2	2	F3,F4	
4	T 7W E 30 7 16	T.B./ L1.L2.L3.N.E	1	1	TB1	
5	R 01 E 19 2 46	T.B./ S1.S2.S3	1	1	TB2	
6	T 7W E 37 3 46	NOISE FILTER	1	1	N.F	
7	R 01 E 31 2 59	REACTOR	1	1	ACL4	
8	T 7W E 10 2 54	CAPACITOR	1	1	CK	
9	T 7W F 28 3 10	CONVERTER BOARD	1	1	CONV.B.	
10	T 7W S 10 3 23	POWER BOARD	1	1	P.B.	
11	R 01 E 10 2 33	RESISTOR	1	1	RS	
12	T 7W E 81 2 02	THERMISTOR (HS)	1	1	TH8	HEAT SINK
13	R 01 A 24 3 71	HEAT SINK	1	1		Includes SCREWS
14	T 7W E 12 2 59	REACTOR	3	3	ACL1,2,3	

STRUCTURAL PARTS
PUZ-HWM140VHA
PUZ-HWM140YHA

PUZ-HWM140VHA-BS
PUZ-HWM140YHA-BS





1. The part quantity below indicates the required number of pieces per unit.
2. The circled No. indicates that the part is not shown in the figure.

No.	Parts No.	Parts Name	PUZ-HWM140VHA	PUZ-HWM140VHA-BS	PUZ-HWM140YHA	PUZ-HWM140YHA-BS	Remarks
1	R 01 E 33 662	SIDE PANEL(L)	1	1	1	1	
2	R 01 E 16 668	FRONT PANEL	1	1	1	1	
3	R 01 E 33 691	GRILLE	2	2	2	2	
4	R 01 E 62 130	MOTOR SUPPORT	1	1	1	1	
5	T 7W E 31 686	BASE ASSY	1	1	1	1	
6	R 01 E 34 667	SERVICE PANEL	1	1	1	1	
7	R 01 E 37 658	COVER PANEL (FRONT)	1	1	1	1	
8	R 01 E 61 661	SIDE PANEL(R)	1	1	1	1	
9	R 01 E 01 655	HANDLE	2	2	2	2	
10	T 7W A 13 005	BRAND LABEL/ZUBADAN	1	1	1	1	
11	R 01 E 07 698	REAR GUARD	1	1	1	1	
12	R 01 E 34 641	TOP PANEL	1	1			
12	T 7W E 10 641	TOP PANEL			1	1	
13	R 01 E 02 655	HANDLE	1	1	1	1	

Parts name	Parts No.
AIR PROTECTION GUIDE (need 2 pieces.)	PAC-SH63AG-E
AIR OUTLET GUIDE (need 2 pieces.)	PAC-SG59SG-E
CONNECTOR FOR DRAIN HOSE HEATER	PAC-SE60RA-E

mitsubishi electric corporation

HEAD OFFICE: TOKYO BUILDING, 2-7-3, MARUNOUCHI, CHIYODA-KU, TOKYO 100-8310, JAPAN