

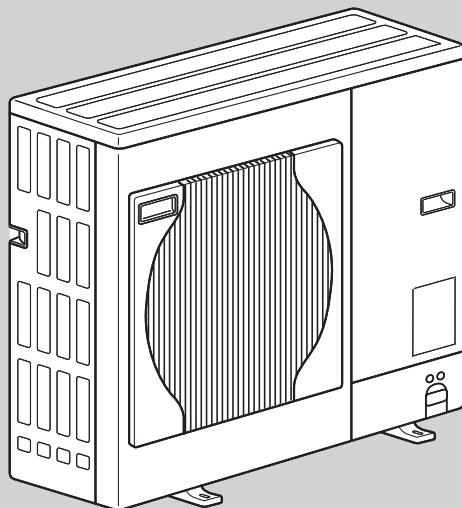
PARTS CATALOG R410A

Outdoor unit

[Model Name]	[Service ref.]
PUHZ-SW75VHA	PUHZ-SW75VHAR6
PUHZ-SW100VHA	PUHZ-SW100VHAR6
PUHZ-SW120VHA	PUHZ-SW120VHAR6
PUHZ-SW100YHA	PUHZ-SW100YHAR6
PUHZ-SW120YHA	PUHZ-SW120YHAR6

 Revision:
 • Parts catalog has been updated in REVISED EDITION-A.

OCB755 is void.

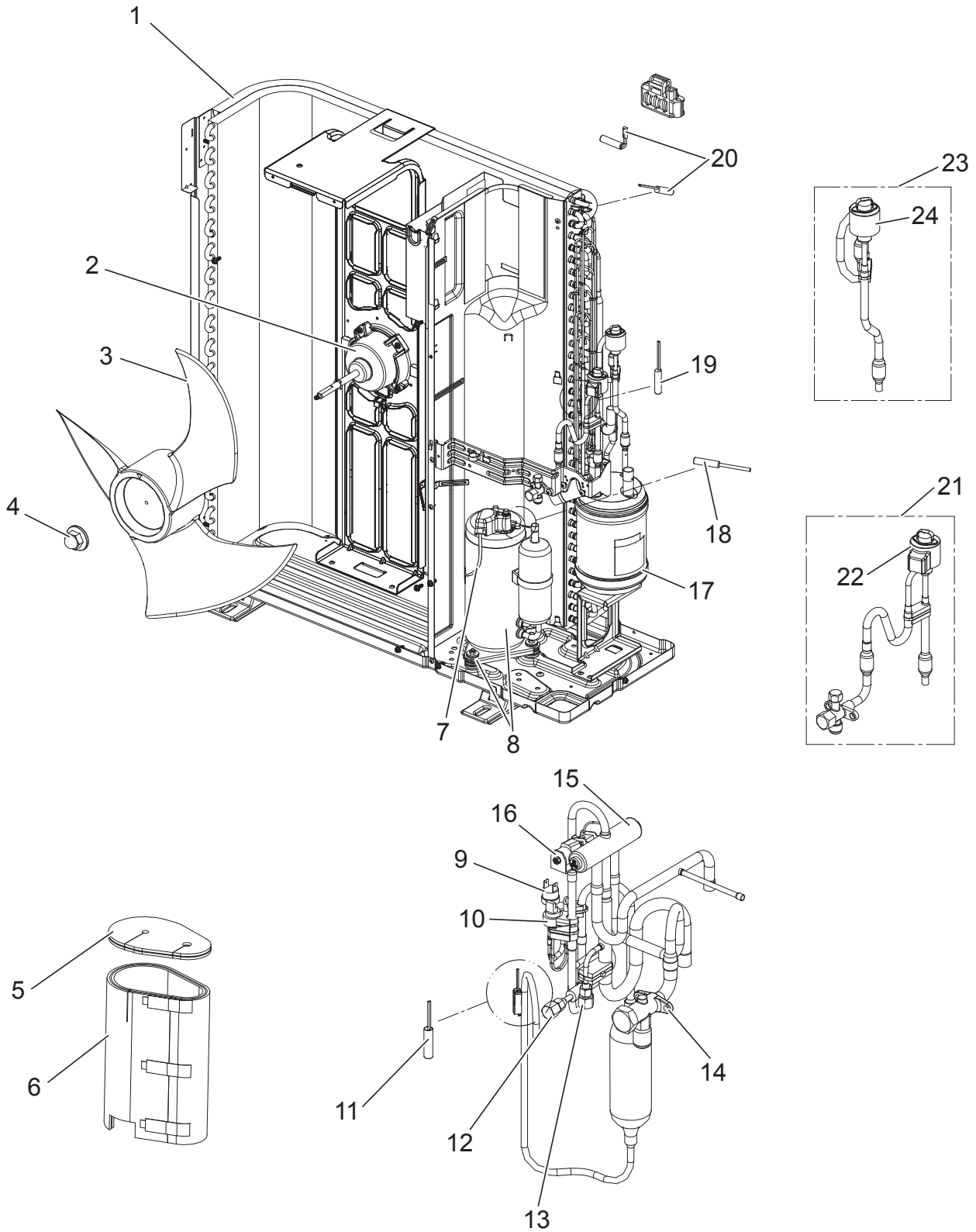

PUHZ-SW75VHAR6

CONTENTS

1. SERVICE PARTS LIST.....	2
----------------------------	---

SERVICE MANUAL (OCH755)

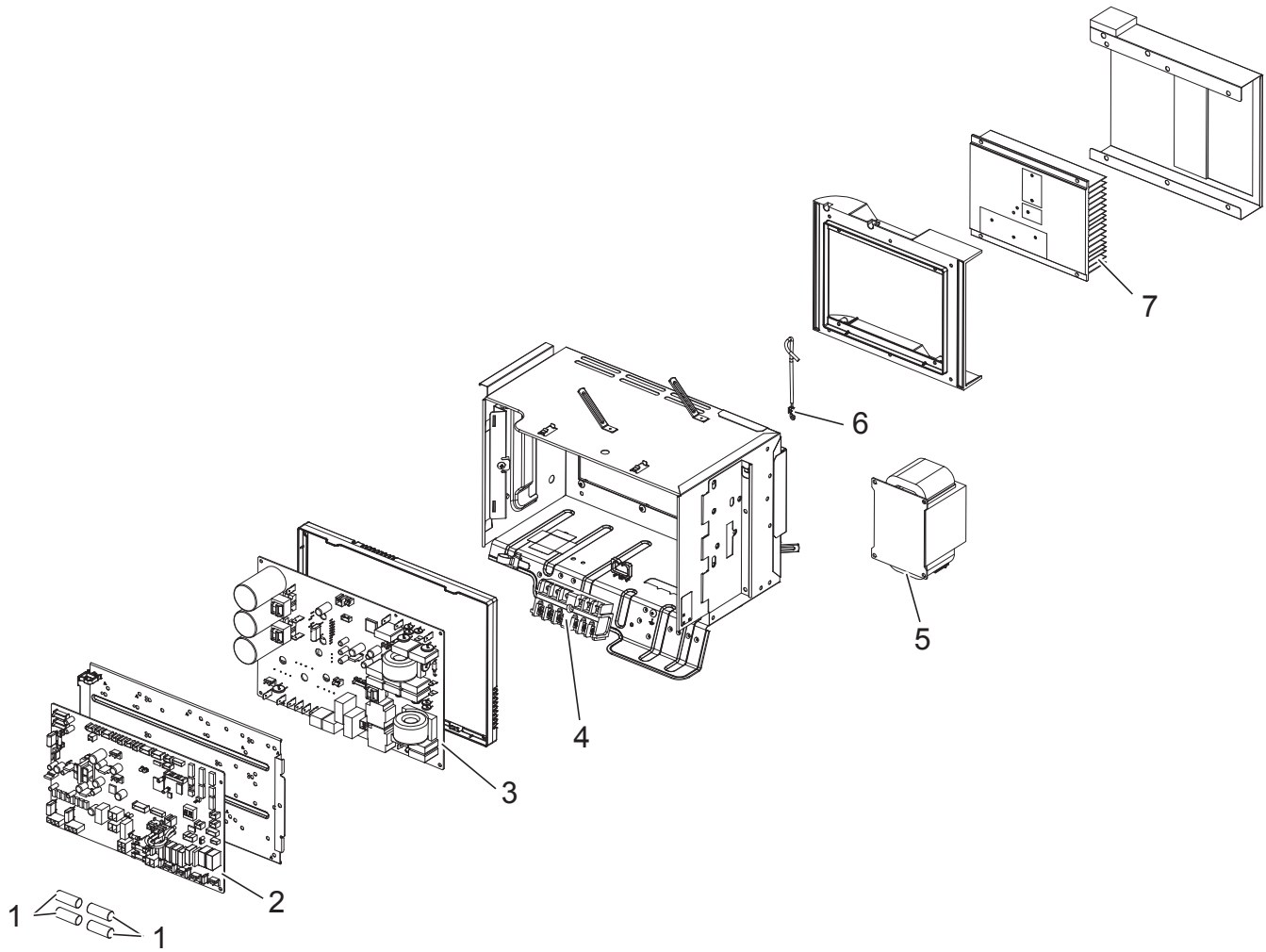
**FUNCTIONAL PARTS
PUHZ-SW75VHAR6**



1. The part quantity below indicates the required number of pieces per unit.
2. The circled No. indicates that the part is not shown in the figure.

No.	Parts No.	Parts Name	PUHZ-SW75VHAR6	Wiring Diagram Symbol	Remarks [Drawing No.]
1	T7W F03 408	HEAT EXCHANGER	1		
2	R01 F01 221	FAN MOTOR	1	MF	
3	R01 E06 115	PROPELLER FAN	1		
4	R01 E16 097	CAP NUT (MEC) M6	1		
5	T7W T13 602	COMP FELT-T/SNB	1		
6	T7W A09 602	COMP FELT(BODY)	1		
7	T7W C08 510	LEAD ASSY COMP	1		
8	T97 4S0 000	COMPRESSOR	1	MC	SNB220FAGMC-L1 Includes RUBBER MOUNT
9	R01 H06 208	HIGH PRESSURE SWITCH	1	63H	
10	R01 H07 208	HIGH PRESSURE SENSOR	1	63HS	
11	R01 E41 201	THERMISTOR (DIS)	1	TH4 (Discharge)	
12	R01 E18 413	CHARGE PLUG/ ST	1		Hi
13	R01 E31 413	CHARGE PLUG/ LB90	1		Lo
14	T7W G00 411	STOP VALVE & STRAINER	1		5/8
15	R01 E28 403	4-WAY VALVE	1	21S4	
16	T7W E20 242	SOLENOID COIL (21S4)	1	21S4	Includes SCREW
17	R01 H62 440	POWER RECEIVER	1		
18	R01 H90 202	THERMISTOR	1	TH34 (COMP. Surface)	
19	R01 N01 202	THERMISTOR-H	1	TH3 (Liquid)	
20	R01 H01 202	THERMISTOR W	1	TH6 (2-Phase Pipe) TH7 (Ambient)	Combined Port
21	T7W B15 401	LEV ASSY-B/REC-V	1	LEV-B	
22	R01 HR8 242	COIL (LEV)/ XAP-5P RED	1	LEV-B	
23	T7W A15 401	LEV ASSY-A/C-REC	1	LEV-A	
24	R01 HR9 242	COIL (LEV)/ XAP-5P WH	1	LEV-A	

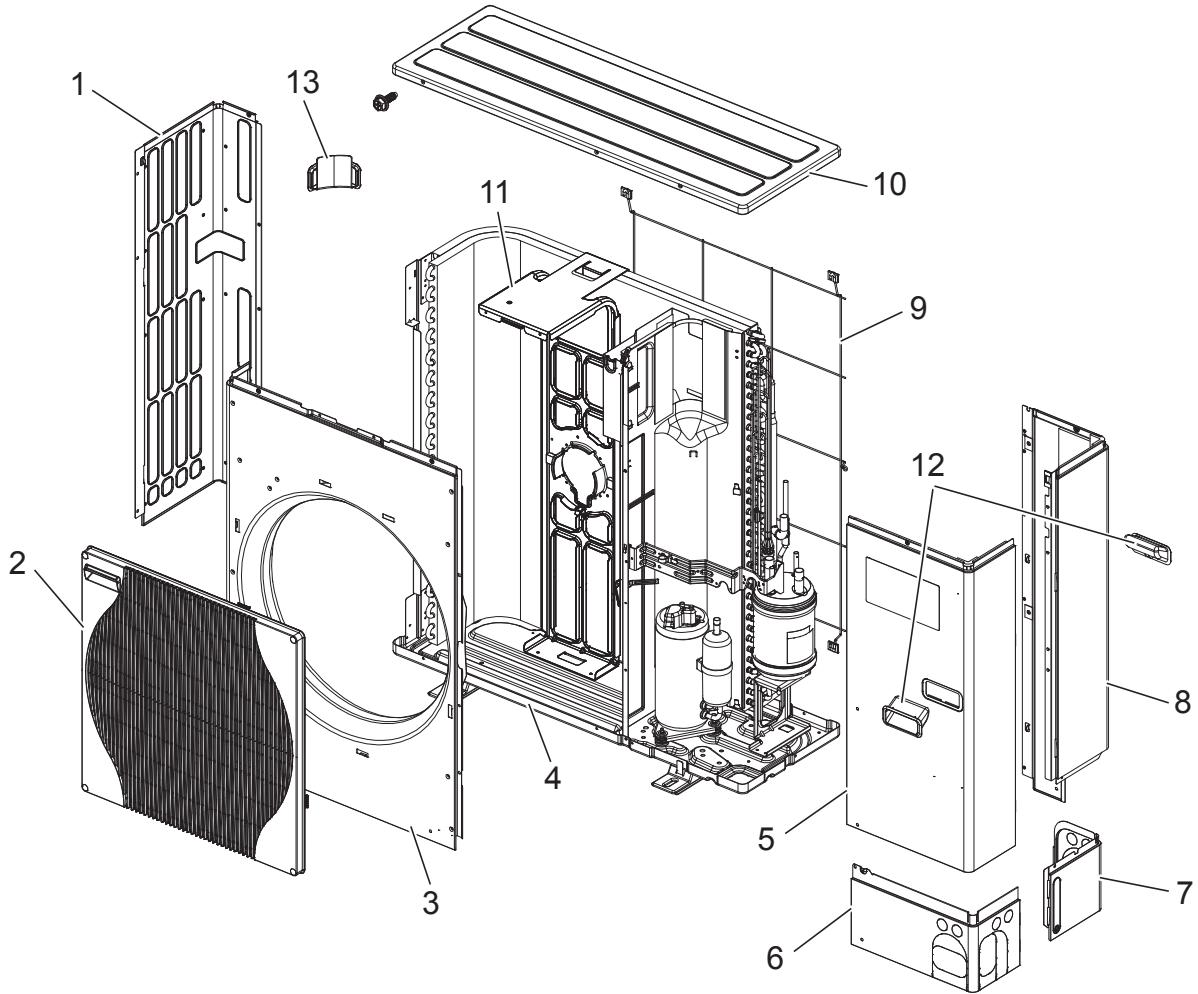
ELECTRICAL PARTS



1. The part quantity below indicates the required number of pieces per unit.
 2. The circled No. indicates that the part is not shown in the figure.

No.	Parts No.	Parts Name	PUHZ-SW75VHAR6	Wiring Diagram Symbol	Remarks [Drawing No.]
1	R01 E14 239	FUSE 6.3 A 250 V	4	F1, 2, 3, 4	
2	T7W S28 315	CONTROLLER BOARD	1	C.B.	
3	T7W S15 323	POWER BOARD	1	P.B.	
4	T7W E71 716	T.B./ LNE.S1.S2.S3	1	TB1	
5	T7W E35 259	REACTOR	1	ACL	
6	R01 N16 202	THERMISTOR (HS)	1	TH8 (Heat sink)	
7	R01 A19 371	HEAT SINK	1		Includes SCREWS

STRUCTURAL PARTS

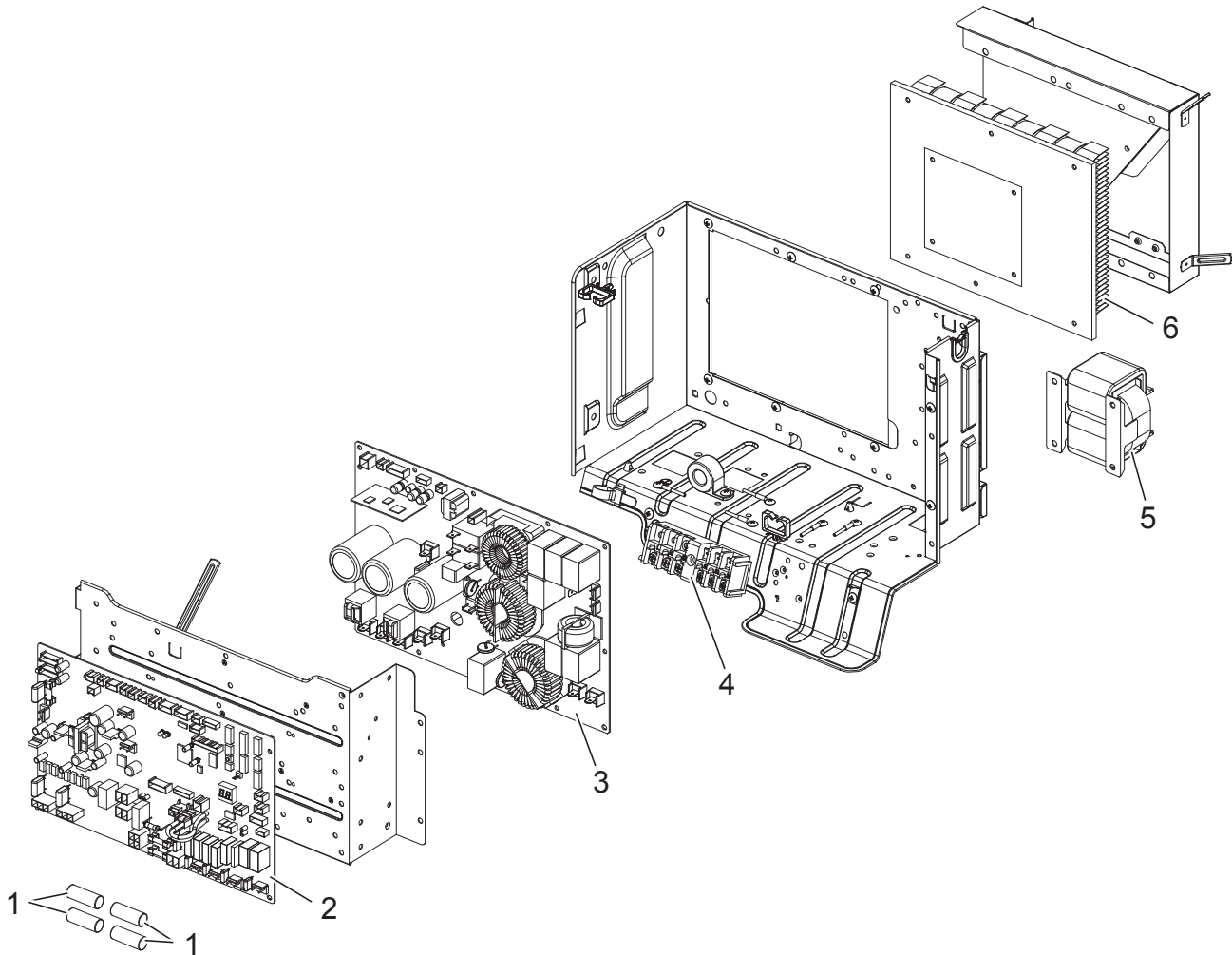


No.	Parts No.	Parts Name	PUHZ-SW75VHAR6	Wiring Diagram Symbol	Remarks [Drawing No.]
1	R01 E19 662	SIDE PANEL (L)	1		
2	R01 E33 691	GRILLE	1		
3	R01 E15 668	FRONT PANEL	1		
4	R01 E56 686	BASE ASSY	1		
5	T7W E18 668	SERVICE PANEL	1		
6	R01 E13 658	COVER PANEL (FRONT)	1		
7	R01 E24 658	COVER PANEL (REAR)	1		
8	T7W E44 661	SIDE PANEL (R)	1		
9	R01 E06 698	REAR GUARD	1		
10	R01 E27 641	TOP PANEL	1		
11	T7W E21 130	MOTOR SUPPORT	1		
12	R01 E01 655	HANDLE	2		
13	R01 E02 655	HANDLE	1		

1. The part quantity below indicates the required number of pieces per unit.
2. The circled No. indicates that the part is not shown in the figure.

No.	Parts No.	Parts Name	PUHZ-SW100VHAR6	PUHZ-SW120VHAR6	PUHZ-SW100YHAR6	PUHZ-SW120YHAR6	Wiring Diagram Symbol	Remarks [Drawing No.]
1	T7W F04 408	HEAT EXCHANGER	1	1	1	1		
2	R01 E88 221	FAN MOTOR	2	2	2	2	MF1, 2	
3	R01 E06 115	PROPELLER FAN	2	2	2	2		
4	R01 E16 097	CAP NUT (MEC) M6	2	2	2	2		
5	R01 A57 602	COMP FELT (TOP)	1	1	1	1		
6	T7W A16 602	COMP FELT (BODY)	1	1	1	1		
7	T7W C09 510	LEAD ASSY COMP	1	1				
7	T7W C10 510	LEAD ASSY COMP			1	1		
8	T97 4A0 001	COMPRESSOR	1				MC	ANB33FNEMT Includes RUBBER MOUNT
8	T97 4A0 002	COMPRESSOR		1			MC	ANB42FNEMT Includes RUBBER MOUNT
8	T97 4A0 003	COMPRESSOR			1		MC	ANB33FNEMT Includes RUBBER MOUNT
8	T97 4A0 004	COMPRESSOR				1	MC	ANB42FNEMT Includes RUBBER MOUNT
9	R01 H06 208	HIGH PRESSURE SWITCH	1	1	1	1	63H	
10	R01 E18 413	CHARGE PLUG/ ST	1	1	1	1		Hi
11	T7W S02 242	SOLENOID COIL (21S4)	1	1			21S4	Includes SCREW
11	T7W E20 242	SOLENOID COIL (21S4)			1	1	21S4	Includes SCREW
12	R01 E34 403	4-WAY VALVE	1	1	1	1	21S4	
13	R01 H07 208	HIGH PRESSURE SENSOR	1	1	1	1	63HS	
14	R01 E35 201	THERMISTOR (DIS)	1	1			TH4 (Discharge)	
14	R01 E41 201	THERMISTOR (DIS)			1	1	TH4 (Discharge)	
15	R01 E12 410	BALL VALVE 5/8F	1	1	1	1		5/8, Includes STRAINER
16	R01 E31 413	CHARGE PLUG/ LB90	1	1	1	1		Lo
17	R01 E60 440	POWER RECEIVER	1	1	1	1		
18	R01 H90 202	THERMISTOR	1	1	1	1	TH34 (COMP. Surface)	
19	R01 E67 202	THERMISTOR	1	1	1	1	TH3 (Liquid)	
20	R01 H00 209	LOW PRESSURE SWITCH	1	1	1	1	63L	
21	R01 E94 202	THERMISTOR W	1	1			TH6 (2-Phase Pipe) TH7 (Ambient)	Combined Port
21	R01 H01 202	THERMISTOR W			1	1	TH6 (2-Phase Pipe) TH7 (Ambient)	Combined Port
22	T7W B16 401	LEV ASSY-B/REC-V	1	1	1	1	LEV-B	
23	R01 HR8 242	COIL (LEV)/ XAP-5P RED	1	1	1	1	LEV-B	
24	T7W A16 401	LEV ASSY-A/C-REC	1	1	1	1	LEV-A	
25	R01 HR9 242	COIL (LEV)/ XAP-5P WH	1	1	1	1	LEV-A	

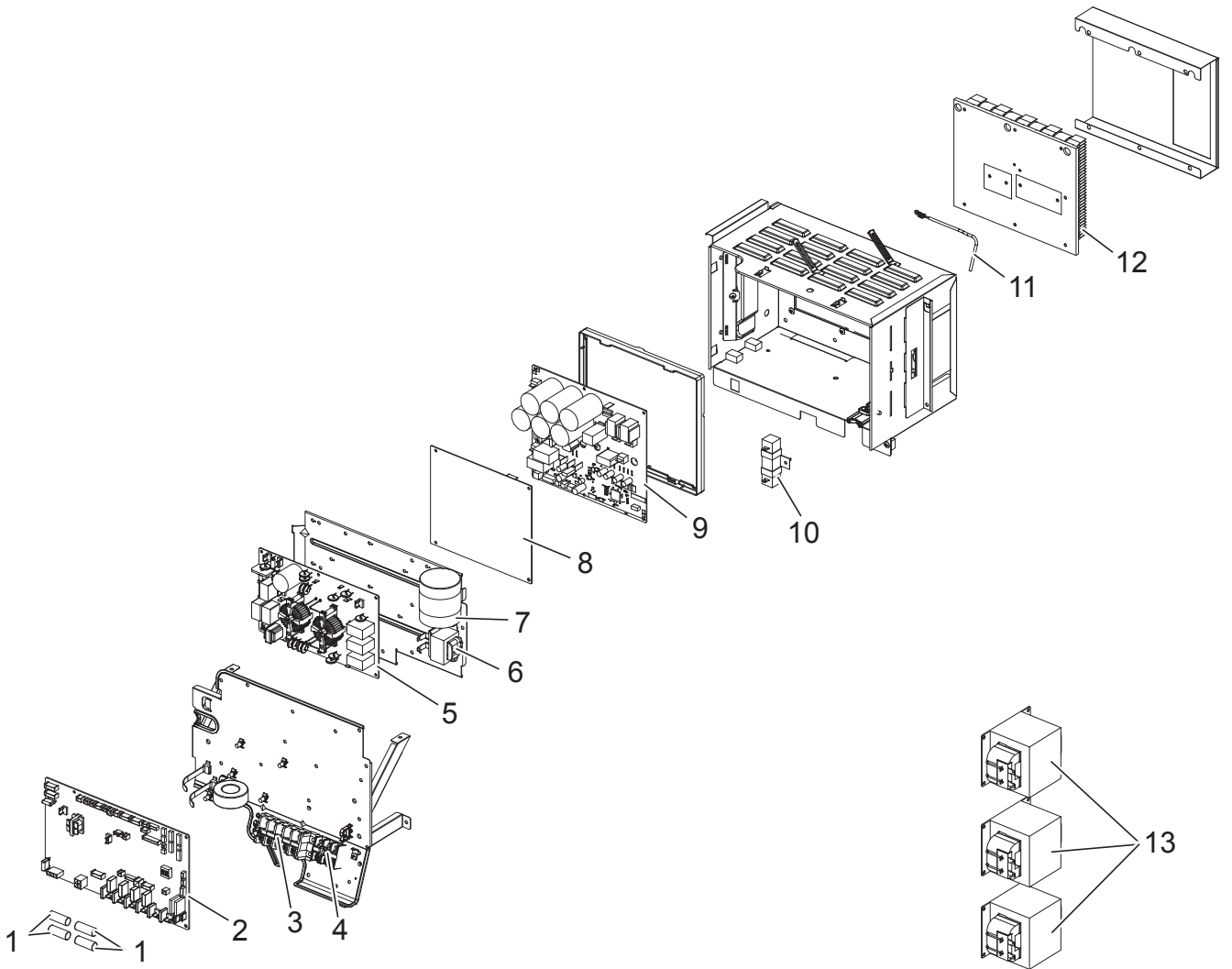
ELECTRICAL PARTS



1. The part quantity below indicates the required number of pieces per unit.
 2. The circled No. indicates that the part is not shown in the figure.

No.	Parts No.	Parts Name	PUHZ-SW100VHAR6	PUHZ-SW120VHAR6	Wiring Diagram Symbol	Remarks [Drawing No.]
1	R01 E14 239	FUSE 6.3 A 250 V	4	4	F1,2,3,4	
2	T7W S29 315	CONTROLLER BOARD	1	1	C.B.	
3	T7W S16 323	POWER BOARD	1	1	P.B.	
4	T7W E71 716	T.B./ LNE.S1.S2.S3	1	1	TB1	
5	T7W E24 259	REACTOR	1	1	DCL	
6	R01 A10 371	HEAT SINK	1	1		Includes SCREWS

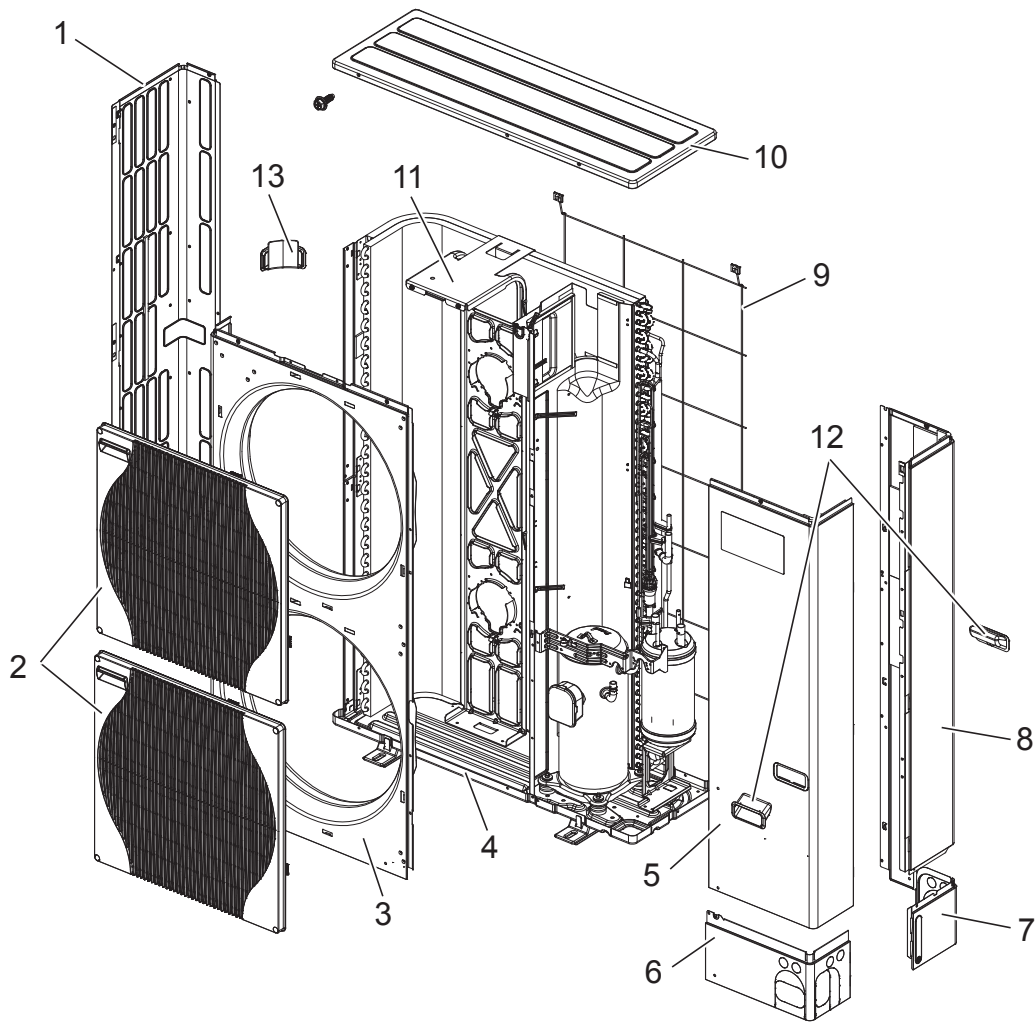
ELECTRICAL PARTS



1. The part quantity below indicates the required number of pieces per unit.
2. The circled No. indicates that the part is not shown in the figure.

No.	Parts No.	Parts Name			Wiring Diagram Symbol	Remarks [Drawing No.]
			PUHZ-SW100YHAR6	PUHZ-SW120YHAR6		
1	R01 E14 239	FUSE 6.3 A 250 V	4	4	F1,2,3,4	
2	T7W S29 315	CONTROLLER BOARD	1	1	C.B.	
3	T7W E30 716	T.B./ L1.L2.L3.N.E	1	1	TB1	
4	R01 E19 246	T.B./ S1.S2.S3	1	1	TB2	
5	T7W E33 346	NOISE FILTER	1	1	N.F.	
6	R01 E31 259	REACTOR	1	1	ACL4	
7	T7W E10 254	CAPACITOR	1	1	CK	
8	T7W F29 310	CONVERTER BOARD	1	1		
9	T7W S17 323	POWER BOARD	1	1	P.B.	
10	R01 E10 233	RESISTOR	1	1	RS	
11	R01 H93 202	THERMISTOR (HS)	1	1	TH8 (Heat sink)	
12	T7W A05 371	HEAT SINK	1	1		Includes SCREWS
13	T7W E12 259	REACTOR	3	3	ACL1,2,3	

STRUCTURAL PARTS



1. The part quantity below indicates the required number of pieces per unit.
 2. The circled No. indicates that the part is not shown in the figure.

No.	Parts No.	Parts Name					Wiring Diagram Symbol	Remarks [Drawing No.]
			PUHZ-SW100VHAR6	PUHZ-SW120VHAR6	PUHZ-SW100YHAR6	PUHZ-SW120YHAR6		
1	R 01 E 33 6 62	SIDE PANEL (L)	1	1	1	1		
2	R 01 E 33 6 91	GRILLE	2	2	2	2		
3	R 01 E 16 6 68	FRONT PANEL	1	1	1	1		
4	R 01 E 26 6 86	BASE ASSY	1	1	1	1		
5	T 7W E 26 6 67	SERVICE PANEL	1	1	1	1		
6	R 01 E 26 6 58	COVER PANEL (FRONT)	1	1	1	1		
7	R 01 E 24 6 58	COVER PANEL (REAR)	1	1	1	1		
8	T 7W E 45 6 61	SIDE PANEL (R)	1	1	1	1		
9	R 01 E 07 6 98	REAR GUARD	1	1	1	1		
10	R 01 E 27 6 41	TOP PANEL	1	1	1	1		
11	R 01 E 62 1 30	MOTOR SUPPORT	1	1	1	1		
12	R 01 E 01 6 55	HANDLE	2	2	2	2		
13	R 01 E 02 6 55	HANDLE	1	1	1	1		



MITSUBISHI ELECTRIC CORPORATION

HEAD OFFICE: TOKYO BUILDING, 2-7-3, MARUNOUCHI, CHIYODA-KU, TOKYO 100-8310, JAPAN
