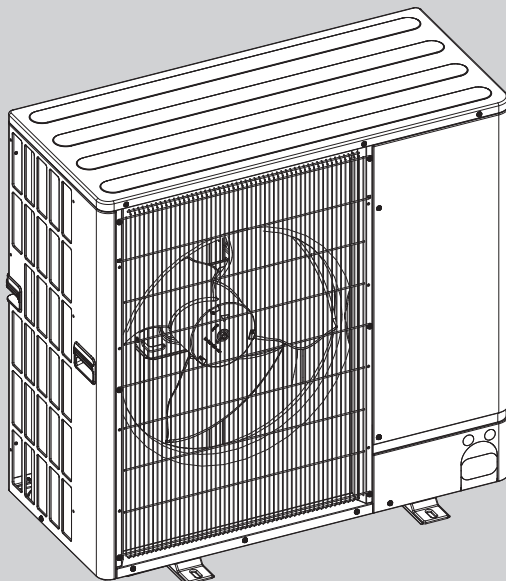


PARTS CATALOG R32

[Model Name]	[Service Ref.]
PUD-SWM60VAA	PUD-SWM60VAAR1
PUD-SWM80VAA	PUD-SWM80VAAR1
PUD-SWM100VAA	PUD-SWM100VAAR1
PUD-SWM120VAA	PUD-SWM120VAAR1
PUD-SWM80YAA	PUD-SWM80YAAR1
PUD-SWM100YAA	PUD-SWM100YAAR1
PUD-SWM120YAA	PUD-SWM120YAAR1
PUD-SHWM60VAA	PUD-SHWM60VAAR1
PUD-SHWM80VAA	PUD-SHWM80VAAR1
PUD-SHWM100VAA	PUD-SHWM100VAAR1
PUD-SHWM120VAA	PUD-SHWM120VAAR1
PUD-SHWM140VAA	PUD-SHWM140VAAR1
PUD-SHWM80YAA	PUD-SHWM80YAAR1
PUD-SHWM100YAA	PUD-SHWM100YAAR1
PUD-SHWM120YAA	PUD-SHWM120YAAR1
PUD-SHWM140YAA	PUD-SHWM140YAAR1



OUTDOOR UNIT

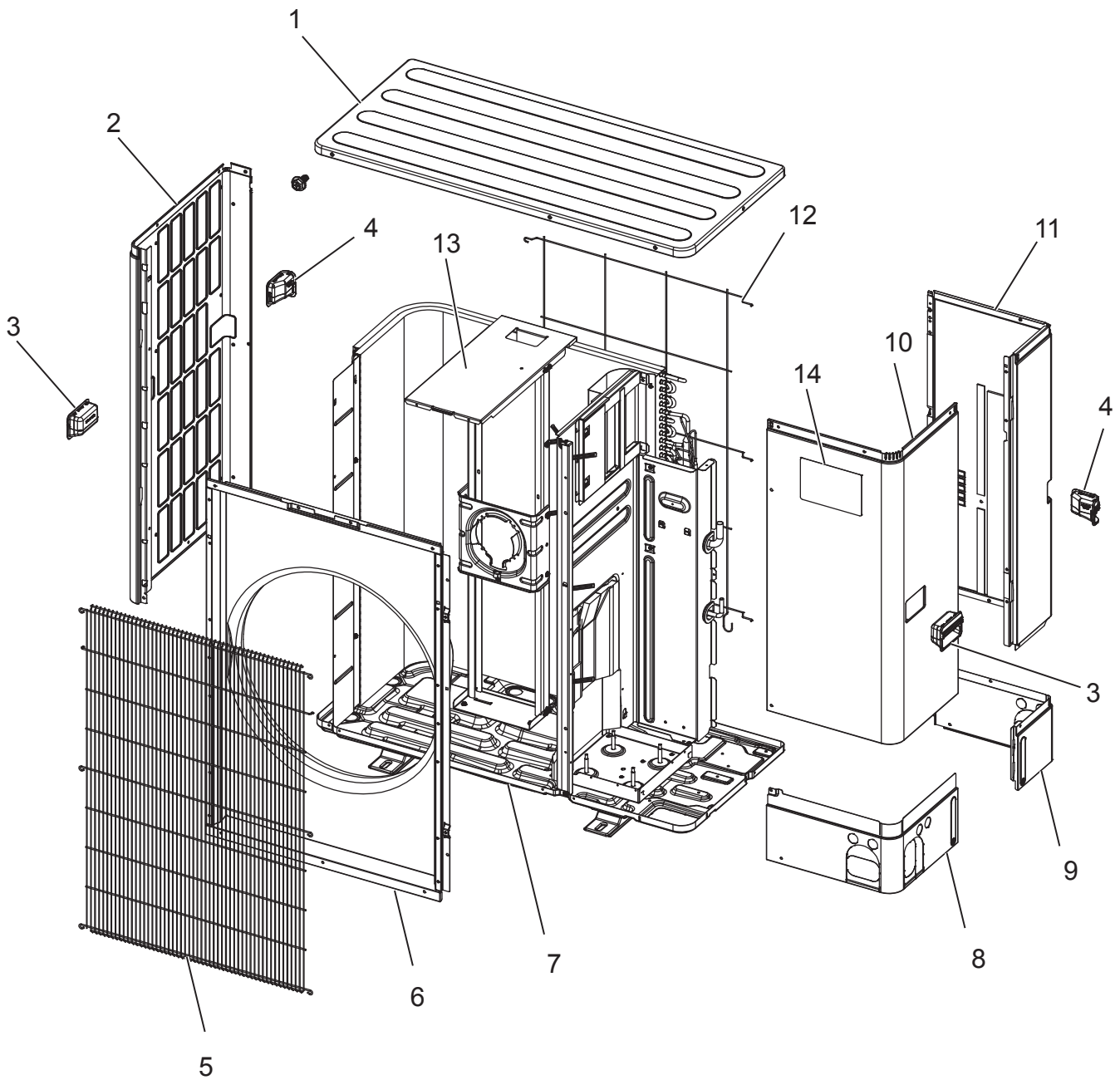
CONTENTS

1. SERVICE PARTS LIST.....2
2. OPTIONAL PARTS..... 11

SERVICE MANUAL (OCH756)

STRUCTURAL PARTS

- | | | | |
|------------------|------------------|------------------|-----------------|
| PUD-SWM60VAAR1 | PUD-SWM80VAAR1 | PUD-SWM100VAAR1 | PUD-SWM120VAAR1 |
| PUD-SWM80YAAR1 | PUD-SWM100YAAR1 | PUD-SWM120YAAR1 | |
| PUD-SHWM60VAAR1 | PUD-SHWM80VAAR1 | PUD-SHWM100VAAR1 | |
| PUD-SHWM120VAAR1 | PUD-SHWM140VAAR1 | | |
| PUD-SHWM80YAAR1 | PUD-SHWM100YAAR1 | | |
| PUD-SHWM120YAAR1 | PUD-SHWM140YAAR1 | | |



1. The part quantity below indicates the required number of pieces per unit.
2. The circled No. indicates that the part is not shown in the figure.

No.	Part No.	Part Name																	Symbol in Wiring Diagram	Remarks [Drawing No.]
			PUD-SWM60VAAR1	PUD-SWM80VAAR1	PUD-SWM100VAAR1	PUD-SWM120VAAR1	PUD-SWM80YAAR1	PUD-SWM100YAAR1	PUD-SWM120YAAR1	PUD-SHWM60VAAR1	PUD-SHWM80VAAR1	PUD-SHWM100VAAR1	PUD-SHWM120VAAR1	PUD-SHWM140VAAR1	PUD-SHWM80YAAR1	PUD-SHWM100YAAR1	PUD-SHWM120YAAR1	PUD-SHWM140YAAR1		
1	T7W E17 641	TOP PANEL	1	1	1	1	1	1	1	1	1	1	1	1	1	1	1	1		
2	T7W E13 662	SIDE PANEL-L	1	1	1	1	1	1	1	1	1	1	1	1	1	1	1	1		
3	T7W F00 655	HANDLE/FRONT	2	2	2	2	2	2	2	2	2	2	2	2	2	2	2	2		
4	T7W R00 655	HANDLE/REAR	2	2	2	2	2	2	2	2	2	2	2	2	2	2	2	2		
5	T7W E15 691	WIRE GRILLE	1	1	1	1	1	1	1	1	1	1	1	1	1	1	1	1		
6	T7W E26 668	FRONT PANEL	1	1	1	1	1	1	1	1	1	1	1	1	1	1	1	1		
7	T7W E32 686	BASE ASSY	1	1	1	1	1	1	1	1	1	1	1	1	1	1	1	1		
8	T7W F01 658	COVER PANEL/ FRONT	1	1	1	1	1	1	1	1	1	1	1	1	1	1	1	1		
9	T7W R01 658	COVER PANEL/ REAR	1	1	1	1	1	1	1	1	1	1	1	1	1	1	1	1		
10	T7W E27 667	SERVICE PANEL	1	1	1	1	1	1	1	1	1	1	1	1	1	1	1	1		
11	T7W E46 661	SIDE PANEL-R	1	1	1	1	1	1	1	1	1	1	1	1	1	1	1	1		
12	T7W E08 698	REAR GUARD	1	1	1	1	1	1	1	1	1	1	1	1	1	1	1	1		
13	T7W E22 130	MOTOR SUPPORT	1	1			1			1	1				1					
13	T7W E23 130	MOTOR SUPPORT			1	1		1	1			1	1	1		1	1	1		
14	T7W B02 005	BRAND LABEL/ ECODAN	1	1	1	1	1	1	1											
14	T7W A13 005	BRAND LABEL/ ZUBADAN								1	1	1	1	1	1	1	1	1		

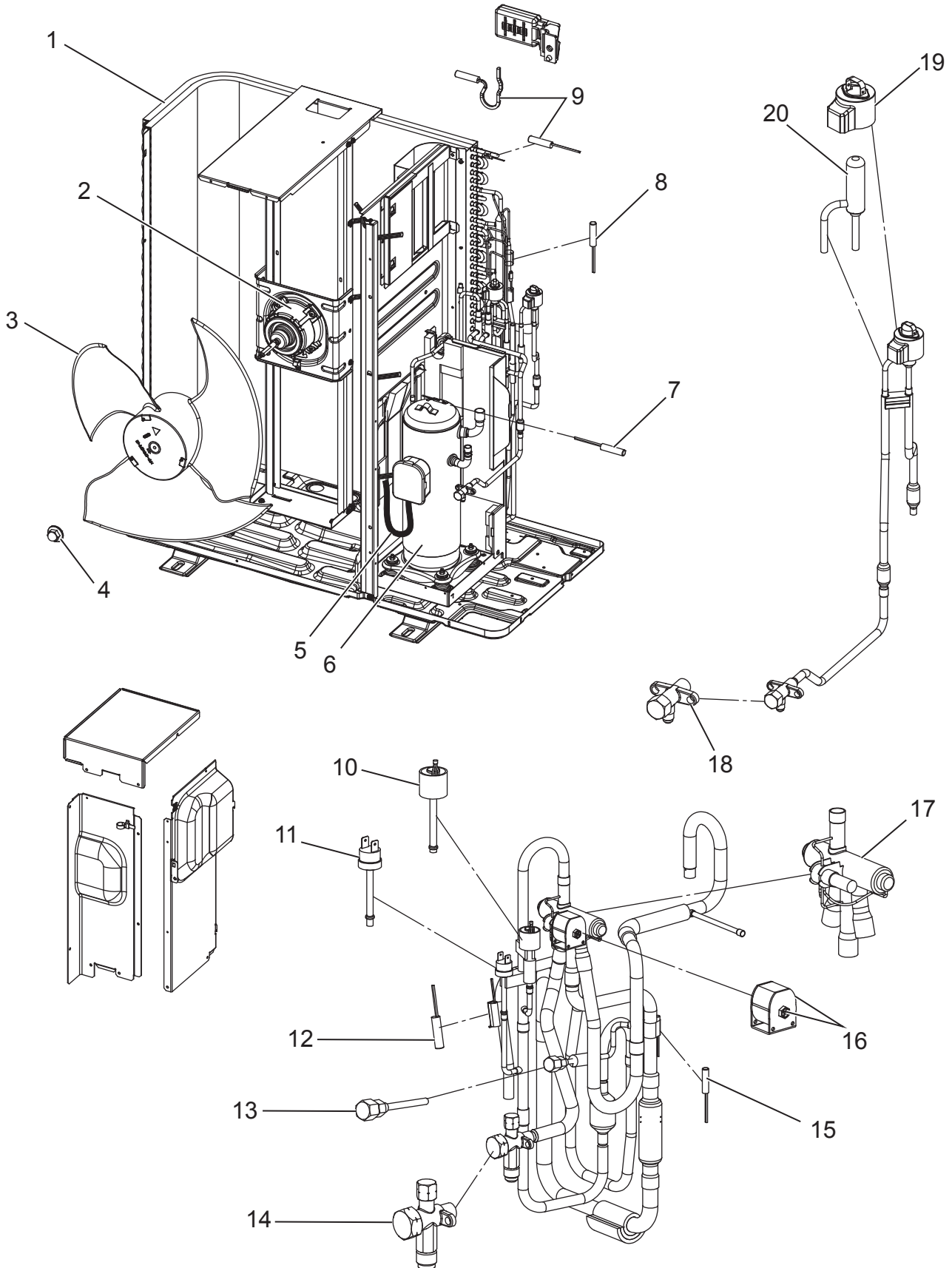
FUNCTIONAL AND ELECTRICAL PARTS

PUD-SWM60VAAR1
PUD-SWM80YAAR1

PUD-SWM80VAAR1
PUD-SWM100YAAR1

PUD-SWM100VAAR1
PUD-SWM120YAAR1

PUD-SWM120VAAR1



1. The part quantity below indicates the required number of pieces per unit.
2. The circled No. indicates that the part is not shown in the figure.

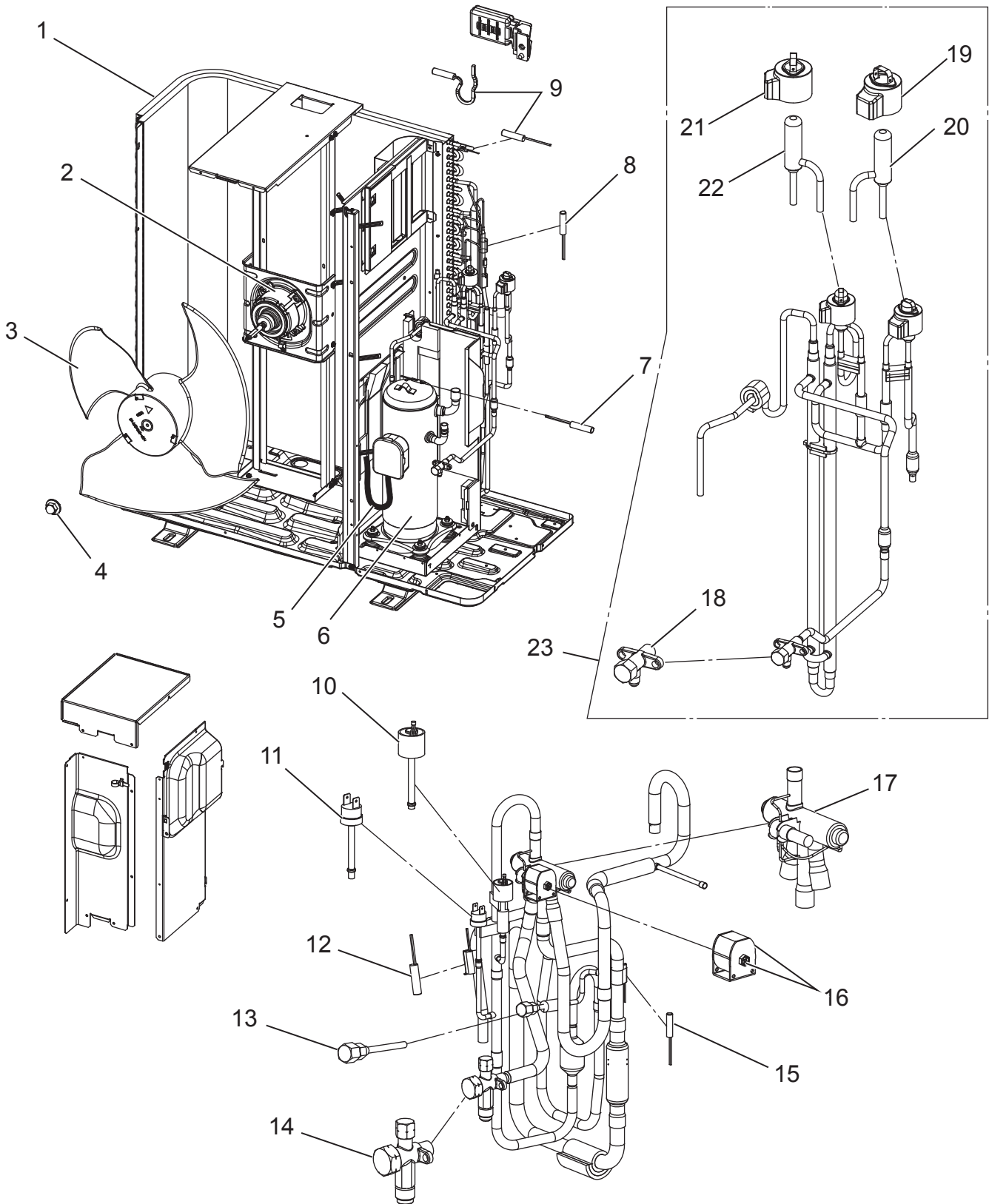
No.	Part No.	Part Name	PUD-SWM60VAAR1	PUD-SWM80VAAR1	PUD-SWM100VAAR1	PUD-SWM120VAAR1	PUD-SWM80YAAR1	PUD-SWM100YAAR1	PUD-SWM120YAAR1	Symbol in Wiring Diagram	Remarks [Drawing No.]
1	T7W F05 408	HEAT EXCHANGER	1	1			1				
1	T7W F06 408	HEAT EXCHANGER			1	1		1	1		
2	R01 F03 221	FAN MOTOR	1	1			1			MF1	
2	R01 C01 221	FAN MOTOR			1	1		1	1	MF1	
3	R01 E16 115	PROPELLER FAN/D550	1	1	1	1	1	1	1		
4	R01 E16 097	CAP NUT(MEC) M6	1	1	1	1	1	1	1		
5	T7W C11 510	LEAD ASSY COMP	1	1	1	1					
5	T7W C13 510	LEAD ASSY COMP					1	1	1		
6	T97 4D0 000	COMPRESSOR	1	1	1	1				MC	DVB28FBAMT Includes RUBBER MOUNT
6	T97 4D0 001	COMPRESSOR					1	1	1	MC	DVB28FBBMT Includes RUBBER MOUNT
7	R01 E51 201	THERMISTOR(SHELL)	1	1	1	1	1	1	1	TH33	
8	R01 E67 202	THERMISTOR	1	1	1	1	1	1	1	TH3	
9	T7W E80 202	THERMISTOR W	1	1	1	1	1	1	1	TH6/TH7	Combined Port
10	R01 E14 208	H.P.SENSOR	1	1	1	1	1	1	1	63HS	
11	T7W E18 208	H.P.SWITCH 4.14MPA	1	1	1	1	1	1	1	63H	
12	R01 E35 201	THERMISTOR(DIS)	1	1	1	1	1	1	1	TH4	
13	R01 E18 413	CHARGE PLUG/ST	1	1	1	1	1	1	1		
14	T7W G01 411	STOP VALVE&STRAINER	1	1	1	1	1	1	1		
15	R01 H17 202	THERMISTOR	1	1	1	1	1	1	1	TH32	
16	T7W S03 242	SOLENOID COIL(21S4)	1	1	1	1	1	1	1	21S4	Includes SCREW
17	T7W E10 403	REVERSING VALVE	1	1	1	1	1	1	1	21S4	
18	R01 E10 411	STOP VALVE 1/4F	1	1	1	1	1	1	1		
19	R01 HR9 242	COIL(LEV)/XAP-5P WH	1	1	1	1	1	1	1	LEV-A	
20	R01 H86 401	LEV	1	1			1			LEV-A	
20	T7W H10 401	LEV(UKV)			1	1		1	1	LEV-A	

FUNCTIONAL AND ELECTRICAL PARTS

PUD-SHWM60VAAR1
 PUD-SHWM120VAAR1
 PUD-SHWM80YAAR1
 PUD-SHWM120YAAR1

PUD-SHWM80VAAR1
 PUD-SHWM140VAAR1
 PUD-SHWM100YAAR1
 PUD-SHWM140YAAR1

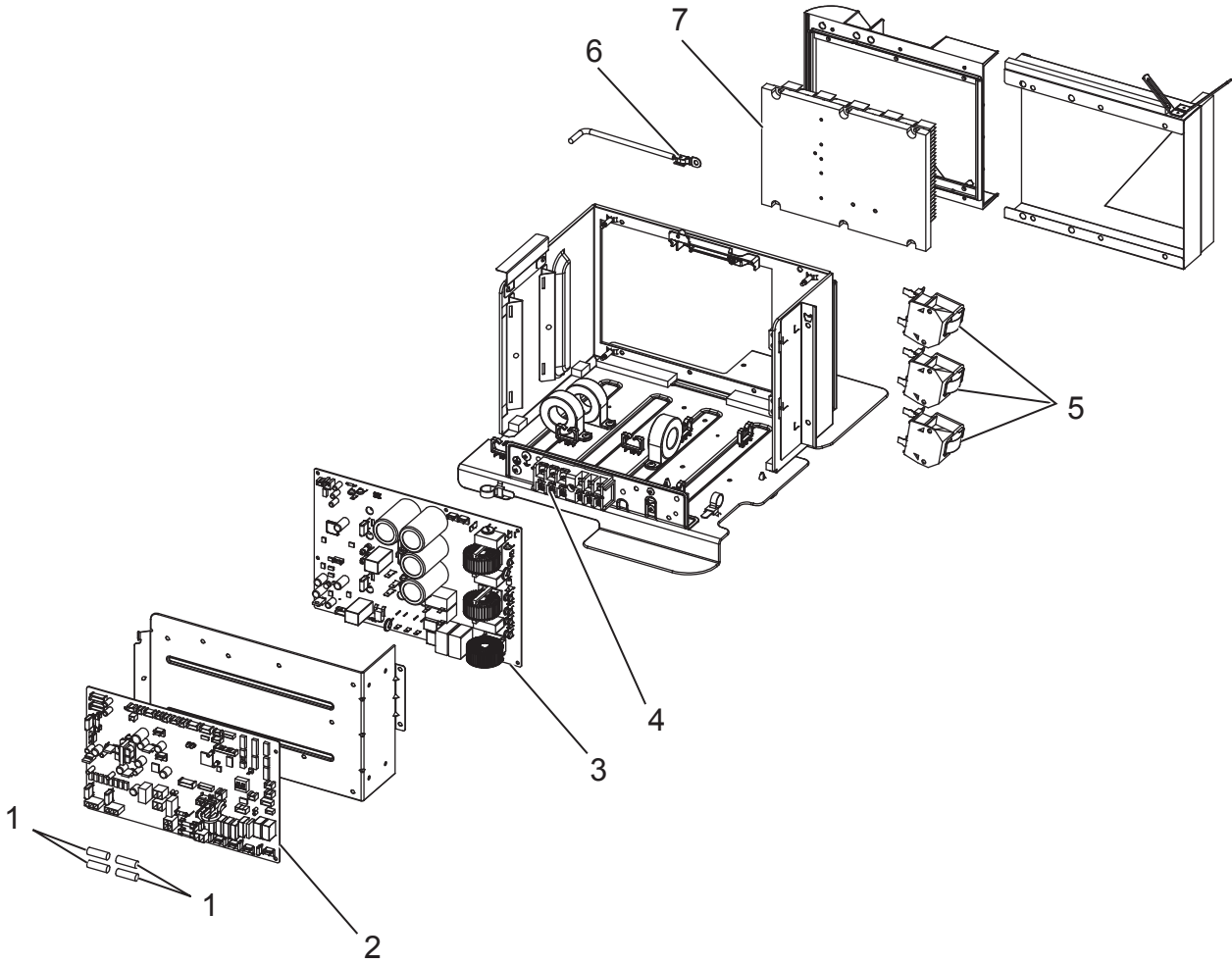
PUD-SHWM100VAAR1



1. The part quantity below indicates the required number of pieces per unit.
2. The circled No. indicates that the part is not shown in the figure.

No.	Part No.	Part Name	PUD-SHWM60VAAR1	PUD-SHWM80VAAR1	PUD-SHWM100VAAR1	PUD-SHWM120VAAR1	PUD-SHWM140VAAR1	PUD-SHWM80YAAR1	PUD-SHWM100YAAR1	PUD-SHWM120YAAR1	PUD-SHWM140YAAR1	Symbol in Wiring Diagram	Remarks [Drawing No.]
1	T7W F05 408	HEAT EXCHANGER	1	1				1					
1	T7W F06 408	HEAT EXCHANGER			1	1	1		1	1	1		
2	R01 F03 221	FAN MOTOR	1	1				1				MF1	
2	R01 C01 221	FAN MOTOR			1	1	1		1	1	1	MF1	
3	R01 E16 115	PROPELLER FAN/D550	1	1	1	1	1	1	1	1	1		
4	R01 E16 097	CAP NUT(MEC) M6	1	1	1	1	1	1	1	1	1		
5	T7W C11 510	LEAD ASSY COMP	1	1	1	1							
5	T7W C12 510	LEAD ASSY COMP					1						
5	T7W C13 510	LEAD ASSY COMP						1	1	1	1		
6	T97 4D0 002	COMPRESSOR	1	1	1	1						MC	DVK28FBAMT Includes RUBBER MOUNT
6	T97 4D0 004	COMPRESSOR					1					MC	DVK36FBEMT Includes RUBBER MOUNT
6	T97 4D0 003	COMPRESSOR						1	1	1		MC	DVK28FBBMT Includes RUBBER MOUNT
6	T97 4D0 005	COMPRESSOR									1	MC	DVK36FBBMT Includes RUBBER MOUNT
7	R01 E51 201	THERMISTOR(SHELL)	1	1	1	1	1	1	1	1	1	TH33	
8	R01 E67 202	THERMISTOR	1	1	1	1	1	1	1	1	1	TH3	
9	T7W E80 202	THERMISTOR W	1	1	1	1	1	1	1	1	1	TH6/TH7	Combined Port
10	R01 E14 208	H.P.SENSOR	1	1	1	1	1	1	1	1	1	63HS	
11	T7W E18 208	H.P.SWITCH 4.14MPA	1	1	1	1	1	1	1	1	1	63H	
12	R01 E35 201	THERMISTOR(DIS)	1	1	1	1	1	1	1	1	1	TH4	
13	R01 E18 413	CHARGE PLUG/ST	1	1	1	1	1	1	1	1	1		
14	T7W G01 411	STOP VALVE&STRAINER	1	1	1	1	1	1	1	1	1		
15	R01 H17 202	THERMISTOR	1	1	1	1	1	1	1	1	1	TH32	
16	T7W S03 242	SOLENOID COIL(21S4)	1	1	1	1	1	1	1	1	1	21S4	Includes SCREW
17	T7W E10 403	REVERSING VALVE	1	1	1	1	1	1	1	1	1	21S4	
18	R01 E10 411	STOP VALVE 1/4F	1	1	1	1	1	1	1	1	1		
19	R01 HR9 242	COIL(LEV)/XAP-5P WH	1	1	1	1	1	1	1	1	1	LEV-A	
20	R01 H86 401	LEV	1	1				1				LEV-A	
20	T7W H10 401	LEV(UKV)			1	1	1		1	1	1	LEV-A	
21	R01 HR4 242	COIL(LEV)/XAP-5P BLU	1	1	1	1	1	1	1	1	1	LEV-C	
22	R01 H86 401	LEV	1	1	1	1	1	1	1	1	1	LEV-C	
23	T7W C01 401	HIC ASSY	1	1				1				LEV-A,LEV-C	
23	T7W C02 401	HIC ASSY			1	1	1		1	1	1	LEV-A,LEV-C	

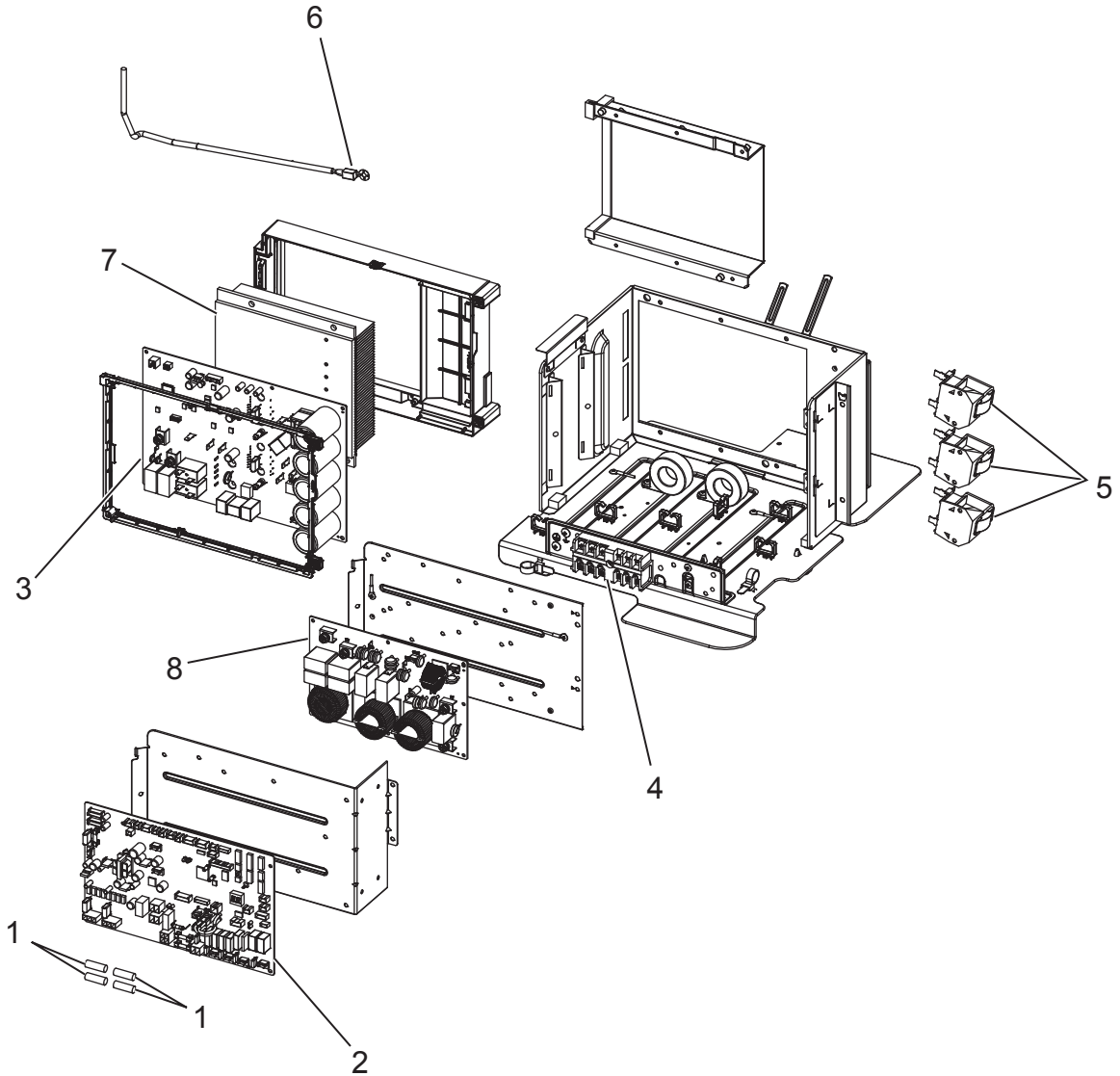
ELECTRICAL PARTS



1. The part quantity below indicates the required number of pieces per unit.
 2. The circled No. indicates that the part is not shown in the figure.

No.	Part No.	Part Name									Symbol in Wiring Diagram	Remarks [Drawing No.]
			PUD-SWM60VAAR1	PUD-SWM80VAAR1	PUD-SWM100VAAR1	PUD-SWM120VAAR1	PUD-SHWM60VAAR1	PUD-SHWM80VAAR1	PUD-SHWM100VAAR1	PUD-SHWM120VAAR1		
1	R01 E14 239	FUSE 6.3A 250V	4	4	4	4	4	4	4	4	F1,F2,F3,F4	
2	T7W W00 315	CONTROLLER BOARD	1	1	1	1					C.B.	
2	T7W W01 315	CONTROLLER BOARD					1	1	1	1	C.B.	
3	T7W W00 323	POWER BOARD	1	1	1	1	1	1	1	1	P.B.	
4	T7W E71 716	T.B./LNE.S1.S2.S3	1	1	1	1	1	1	1	1	TB1	
5	R01 E56 259	REACTOR	3	3	3	3	3	3	3	3	DCL1,2,3	
6	R01 M13 202	THERMISTOR(HS)	1	1	1	1	1	1	1	1	TH8	
7	R01 A21 371	HEAT SINK	1	1	1	1	1	1	1	1		Includes SCREWS

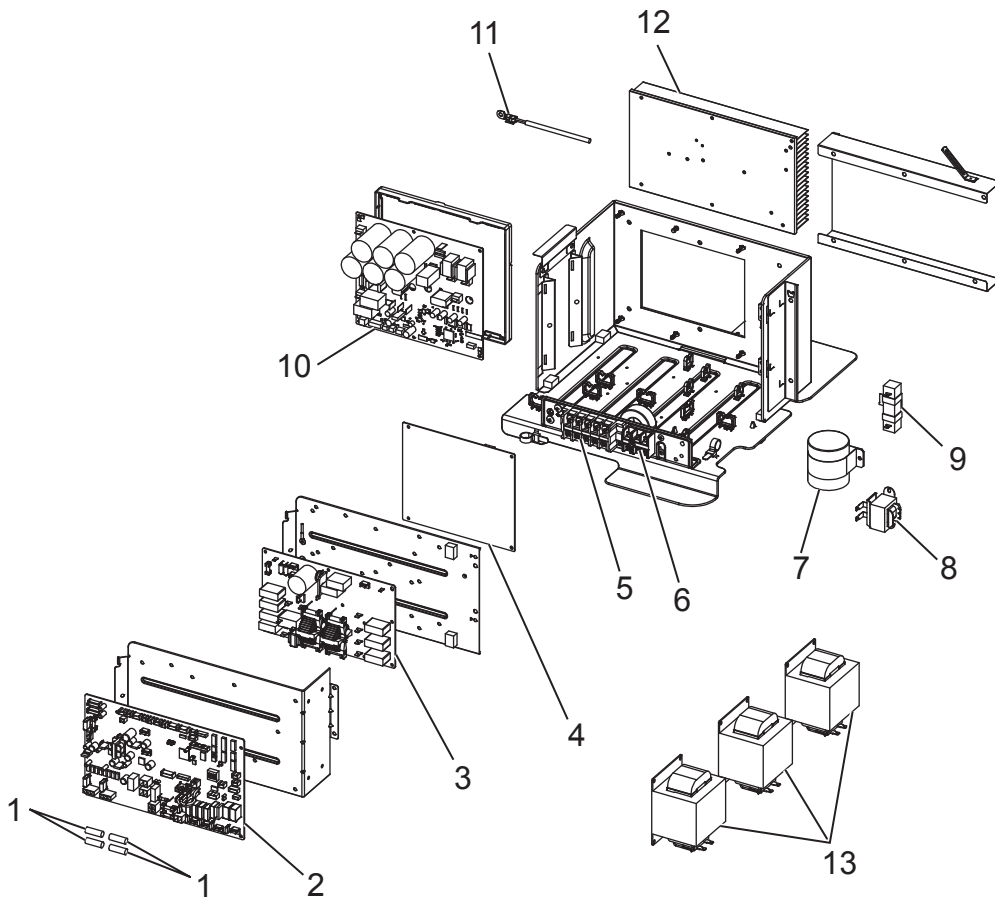
ELECTRICAL PARTS



1. The part quantity below indicates the required number of pieces per unit.
 2. The circled No. indicates that the part is not shown in the figure.

No.	Part No.	Part Name	PUD-SHWM140VAAR1	Symbol in Wiring Diagram	Remarks [Drawing No.]
1	R01 E14 239	FUSE 6.3A 250V	4	F1,F2,F3,F4	
2	T7W W01 315	CONTROLLER BOARD	1	C.B.	
3	T7W W01 323	POWER BOARD	1	P.B.	
4	T7W E61 716	T.B./LNE.S1.S2.S3	1	TB1	
5	R01 E56 259	REACTOR	3	DCL1,2,3	
6	R01 M16 202	THERMISTOR(HS)	1	TH8	
7	R01 A23 371	HEAT SINK	1		Includes SCREWS
8	T7W E42 346	NOISE FILTER	1	N.F.	

ELECTRICAL PARTS



1. The part quantity below indicates the required number of pieces per unit.
 2. The circled No. indicates that the part is not shown in the figure.

No.	Part No.	Part Name								Symbol in Wiring Diagram	Remarks [Drawing No.]
			PUD-SWM80YAAR1	PUD-SWM100YAAR1	PUD-SWM120YAAR1	PUD-SHWM80YAAR1	PUD-SHWM100YAAR1	PUD-SHWM120YAAR1	PUD-SHWM140YAAR1		
1	R01 E14 239	FUSE 6.3A 250V	4	4	4	4	4	4	4	F1,F2,F3,F4	
2	T7W W00 315	CONTROLLER BOARD	1	1	1					C.B.	
2	T7W W01 315	CONTROLLER BOARD				1	1	1	1	C.B.	
3	T7W E43 346	NOISE FILTER	1	1	1	1	1	1	1	N.F.	
4	T7W F29 310	CONVERTER BOARD	1	1	1	1	1	1	1		
5	T7W E30 716	T.B./L1.L2.L3.N.E	1	1	1	1	1	1	1	TB1	
6	R01 E19 246	T.B./S1.S2.S3	1	1	1	1	1	1	1	TB2	
7	T7W E13 254	CAPACITOR	1	1	1	1	1	1	1	CK	
8	R01 E31 259	REACTOR	1	1	1	1	1	1	1	ACL4	
9	R01 E10 233	RESISTOR	1	1	1	1	1	1	1	RS	
10	T7W W02 323	POWER BOARD	1	1	1	1	1	1	1	P.B.	
11	R01 M16 202	THERMISTOR(HS)	1	1	1	1	1	1	1	TH8	
12	R01 A24 371	HEAT SINK	1	1	1	1	1	1	1		Includes SCREWS
13	T7W E12 259	REACTOR	3	3	3	3	3	3	3	ACL1,2,3	

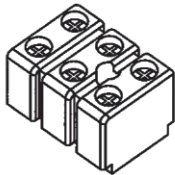

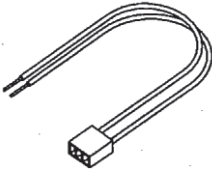
2

OPTIONAL PARTS

CONNECTOR FOR DRAIN HOSE HEATER

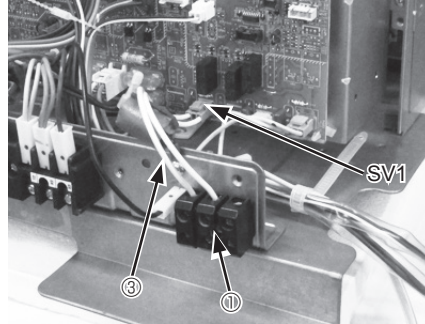
Parts No.	PAC-SE60RA-E
-----------	--------------

Contents

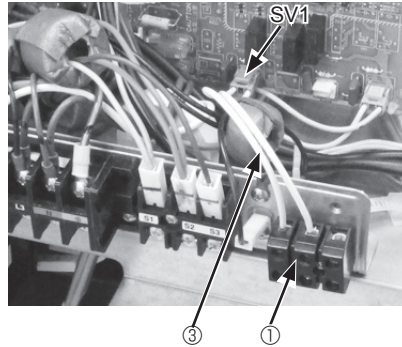
① Terminal block	×1
	
② Screw	×1
	
③ Lead wire with connector	×1
	

Installation

● PUD-***VAA models

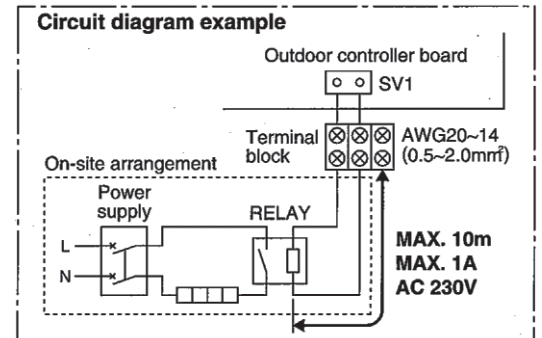


● PUD-***YAA models



1. Attach the terminal block ①, with the screw ②.
2. Connect the lead wire ③ connector side to SV1 port on the outdoor controller board.
3. Connect the lead wire ③ to the terminal block ①.
4. Wire local cables for a drain hose heater RELAY to the terminal block ①.

- Drain hose heater RELAY connection only
- MAX current 1A



SV1 on the controller board
 → Drain hose heater signal output
 With PAC-SE60RA-E
 From defrost start
 For 15 min. ON signal provided

Parts name	Parts No.
AIR DISCHARGE GUIDE	PAC-SH96SG-E
AIR PROTECTION GUIDE	PAC-SH95AG-E
ATTACHMENT (AIR DISCHARGE GUIDE/AIR PROTECTION GUIDE)	PAC-SJ82AT
DRAIN SOCKET	PAC-SG61DS-E
CENTRALIZED DRAIN PAN	PAC-SJ83DP

mitsubishi electric corporation

HEAD OFFICE : TOKYO BUILDING, 2-7-3, MARUNOUCHI, CHIYODA-KU, TOKYO 100-8310, JAPAN
